

Signet Temperature Integral System with 9900 Transmitter



Member of the SmartPro® Family of Instruments



Signet has combined the 9900 SmartPro® Transmitter with the 2350 Temperature sensors to create integral systems that are easy to order and simple to install. Also available in conductivity, flow, level, and pressure configurations, each integral system features a 9900 Transmitter which provides a local and easy to read LCD display. The push button keypad makes it easy to navigate through the transmitter's menu. The DC-powered 9900 features a scalable 4 to 20 mA output and open collector for process control.

The integral system is offered with a Signet 2350 Temperature sensor and is available in a range of -10 °C to 100 °C (14 °F to 212 °F). Sensor installation is achieved into standard pipes via the 3/4 inch sensor threaded NPT process connection. The sensor is available with PVDF wetted materials.

Features

- Local display for sensor mounted instruments
- Provides 4 to 20 mA output
- "At a glance" visibility
- "Dial-type" digital bar graph
- NEMA 4X/IP65



Applications

- Cooling Tower Control
- Filtration Systems
- Chemical Production
- Semiconductor Water Production
- Aquariums
- Aquatic Monitoring
- Heat Exchangers
- Galvanic Plating

System Overview

Integral Installation

Signet Model 9900 Transmitter
with 3-8052 Integral Adapter Kit



Signet 2350
Temperature Sensor

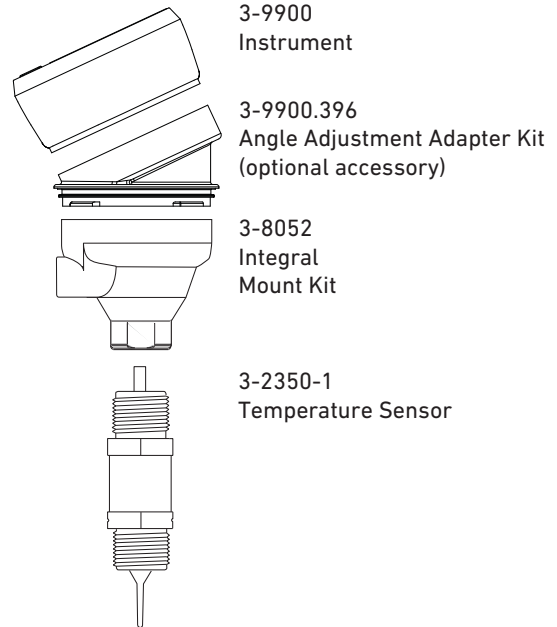
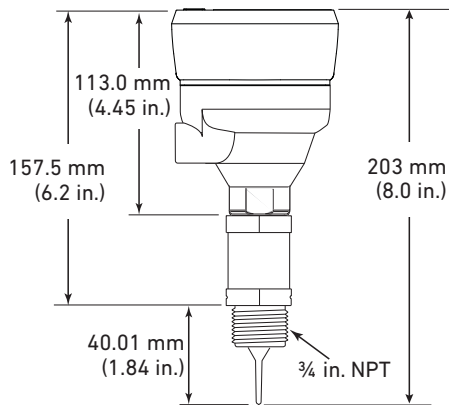


Customer supplied standard 3/4 in fittings

Specifications

See individual transmitter and sensor product pages for more information.

Dimensions

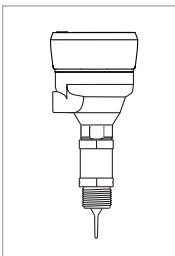


Ordering Notes

The Integral Mount is available with all parts conveniently assembled (instrument, sensor, and mounting kit). Alternatively, all three parts can be purchased separately. See individual transmitter and sensor pages for more information.

Only available in Europe.

Ordering Information



Mfr. Part No. /Code	Instrument + Sensor	Description
159 001 745	3-9900-1 + 3-2350-1	4 to 20 mA and one open collector + digital (S ³ L) temperature sensor

Accessories

Mfr. Part No.	Code	Description
3-9900.396	159 001 701	Angle adjustment adapter kit

Please refer to **Wiring, Installation, and Accessories** sections for more information.

3-9900-2350.099 Rev C (02/16)

© Georg Fischer Signet LLC

3401 Aero Jet Avenue, El Monte, CA 91731-2882 U.S.A. • Tel. (626) 571-2770 • Fax (626) 573-2057 • www.gfsignet.com • e-mail: signet.ps@georgfischer.com
 Specifications subject to change without notice. All rights reserved. All corporate names and trademarks stated herein are the property of their respective companies.