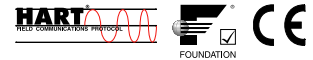


Rosemount Compact Orifice Flowmeter Series

**INTEGRATED DESIGN FOR LIMITED
STRAIGHT PIPE RUN, CLOSED LOOP
CONTROL, AND GENERAL PURPOSE
MONITORING APPLICATIONS**

- *Reduced installation cost compared to a traditional orifice plate*
- *Accurate and repeatable*
- *Easy-to-install direct mount assembly*
- *Self-centering*
- *Based on ASME/ISO corner tap design*
- *Patented technology*



Content

The Rosemount 405 Compact Orifice Series	page Flow-2
Rosemount DP-Flow Solutions	page Flow-2
Rosemount 3051SFC Compact Orifice Flowmeter	page Flow-4
Specifications	page Flow-4
Product Certifications	page Flow-11
Dimensional Drawings	page Flow-15
Ordering Information	page Flow-16
Rosemount 3095MFC Compact Orifice Mass Flowmeter	page Flow-20
Specifications	page Flow-20
Product Certifications	page Flow-26
Dimensional Drawings	page Flow-28
Ordering Information	page Flow-29
Rosemount 405 Compact Orifice Primary Element	page Flow-32
Specifications	page Flow-32
Dimensional Drawings	page Flow-36
Ordering Information	page Flow-38

The Rosemount 405 Compact Orifice Series

Best-in-Class Integrated DP Flowmeters

By integrating Rosemount pressure transmitters with the 405 Compact Orifice Series primary element, Rosemount provides the highest performing DP Flowmeters. This fully integrated flowmeter eliminates the need for fittings, tubing, valves, adapters, manifolds, and mounting brackets, thereby reducing welding and installation time.

Less Expensive than an Orifice Plate Installation

Direct mounting minimizes total installed cost by reducing engineering, procurement, labor, and material expenditures while offering unsurpassed utility.

Direct Mount

A 3-valve isolation manifold and 1-in (25 mm) thick wafer-style body allows direct mounting while eliminating field connections between the process and the differential pressure-measuring device. The integral configuration results in a robust, inexpensive, and easy-to-install assembly.

Accurate and Repeatable

The 405C Conditioning Orifice is ideal for limited pipe run measurements in gas, liquid, or steam applications (8-in. (200 mm) nominal diameter and smaller lines). The 405C Conditioning Orifice delivers consistent and accurate measurements one would expect from traditional orifice plate technology.

Centering Mechanism

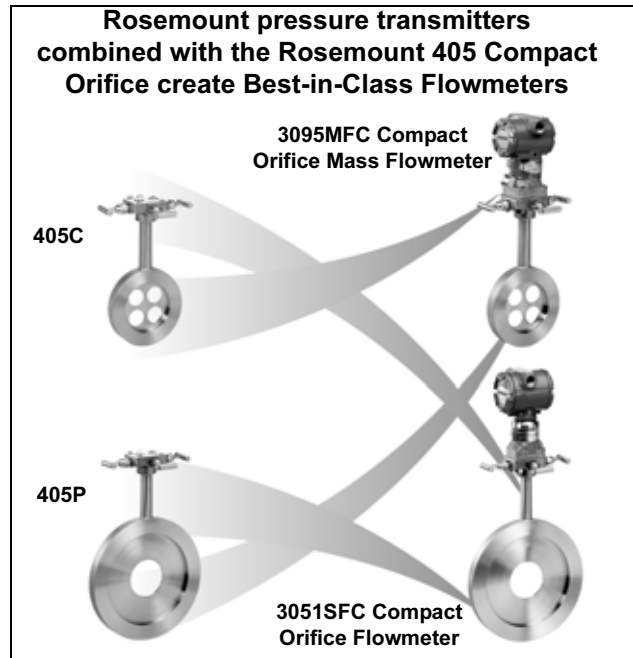
Improper centering of any orifice type device can cause an error of up to $\pm 5\%$ in small line sizes. A centering mechanism independent of flange rating is standard with the 405 Compact Orifice Series.

Annubar[®] Flowmeter Series: Rosemount 3051SFA ProBar[®], 3095MFA Mass ProBar[®], 485, and 285

The state-of-the-art, fifth generation Rosemount 485 Annubar combined with the 3051S or 3095 MultiVariable transmitter creates an accurate, repeatable and dependable insertion-type flowmeter. The Rosemount 285 provides a commercial product offering for your general purpose applications.

Compact Orifice Flowmeter Series: Rosemount 3051SFC, 3095MFC, and 405

Compact Orifice Flowmeters can be installed between existing flanges, up to a Class 600 (PN100) rating. In tight fit applications, a conditioning orifice plate version is available, requiring only two diameters of straight run upstream.



Based on ASME/ISO Corner Tap Design

The incorporation of design features from proven standards results in a product that performs in a predictable manner and operates on well-known principles.

Advanced PlantWeb[®] Functionality

Rosemount orifice flowmeters power PlantWeb through a scalable architecture, advanced diagnostics, and MultiVariable capabilities. This reduces operational and maintenance expenditures while improving throughput and utilities management.



Rosemount DP-Flow Solutions

Integral Orifice Flowmeter Series: Rosemount 3051SFP ProPlate[®], 3095MFP Mass ProPlate, and 1195

These integral orifice flowmeters eliminate the inaccuracies that become more pronounced in small orifice line installations. The completely assembled, ready to install flowmeters reduce cost and simplify installation.

Orifice Plate Primary Element Systems: Rosemount 1495 and 1595 Orifice Plates, 1496 Flange Unions and 1497 Meter Sections

A comprehensive offering of orifice plates, flange unions and meter sections that is easy to specify and order. The 1595 Conditioning Orifice provides superior performance in tight fit applications.

405 Compact Orifice Series Selection Guide

Rosemount 3051SFC Compact Orifice Flowmeter

See ordering information on page Flow-16.

- Combines the Rosemount 3051S scalable pressure transmitter with the 405 Compact Orifice Primary
- Accuracy up to $\pm 0.80\%$ of volumetric rate
- Remote display and interface assembly enables direct mounting with "at-grade" operator interface
- *FOUNDATION*[®] fieldbus protocol available
- Ideal fluid type: liquid



3051SFC Compact Orifice Flowmeter

Rosemount 3095MFC Compact Orifice Mass Flowmeter

See ordering information on page Flow-29.

- Combines the Rosemount 3095MV MultiVariable mass flow transmitter with the 405 Compact Orifice Primary
- Accuracy up to $\pm 0.70\%$ of mass flow rate
- Measures differential pressure, static pressure, and process temperature (remotely) all in one flowmeter assembly
- Dynamically calculates compensated mass flow
- Ideal fluid types: gas and steam



3095MFC Compact Orifice Mass Flowmeter

Rosemount 405 Compact Orifice Primary

See ordering information on page Flow-38.

- Integral manifold head allows direct mounting of DP transmitters
- Ideal fluid types: liquid, gas, and steam
- Accuracy up to $\pm 0.5\%$ of discharge coefficient uncertainty
- Direct mounting capability to ANSI 600# rating
- Self-centering alignment ring



405C Conditioning Orifice

405P Compact Orifice

Rosemount 3051SFC Compact Orifice Flowmeter

SPECIFICATIONS

Performance

System Reference Accuracy

Percent (%) of volumetric flow rate

TABLE 1. 3051SFC Compact Orifice Flowmeter

Type	Beta	Classic (8:1 flow turndown)	Ultra (8:1 flow turndown)	Ultra for Flow (14:1 flow turndown)
3051SFCC	0.4 0.65	±1.05% ±1.35%	±0.85% ±1.20%	±0.80% ±1.15%
3051SFCP ⁽¹⁾	0.4 0.65 ⁽⁴⁾	±2.45%	±2.35%	±2.30%
3051SFCP ⁽²⁾	0.4 0.65 ⁽⁴⁾	±2.00%	±1.90%	±1.85%
3051SFCP ⁽³⁾	0.4 0.65 ⁽⁴⁾	±1.55%	±1.45%	±1.40%

(1) Line sizes ¹/₂-in. (15mm).

(2) Line sizes 1-in. to 1 ¹/₂-in. (25mm to 40mm).

(3) Line sizes 2-in. to 12-in. (50mm to 300mm).

(4) For 0.65 beta and ReD < 10,000 add an additional ± 0.5% to the Discharge Coefficient Uncertainty.

Repeatability

±0.1%

Line Sizes

- ¹/₂-in. (15 mm) – not available for the 3051SFCC
- 1-in. (25 mm) – not available for the 3051SFCC
- 1 ¹/₂-in. (40 mm) – not available for the 3051SFCC
- 2-in. (50 mm)
- 3-in. (80 mm)
- 4-in. (100 mm)
- 5-in. (125 mm)
- 6-in. (150 mm)
- 8-in. (200 mm)
- 10-in. (250 mm)
- 12-in. (300 mm)

Performance Statement Assumptions

- Measured pipe I.D

Sizing

Contact an Emerson Process Management representative for assistance. A Configuration Data Sheet is required prior to order for application verification.

Functional

Service

- Liquid
- Gas
- Steam

4–20 mA/HART

Zero and Span Adjustment

Zero and span values can be set anywhere within the range. Span must be greater than or equal to the minimum span.

Output

Two-wire 4–20 mA is user-selectable for linear or square root output. Digital process variable superimposed on 4–20 mA signal, available to any host that conforms to the HART protocol.

Power Supply

External power supply required.

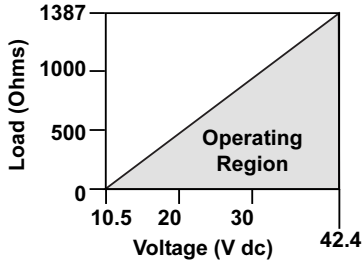
Standard transmitter (4–20 mA): 10.5 to 42.4 V dc with no load
3051S HART Diagnostics transmitter: 12 to 42 Vdc with no load

Load Limitations

Maximum loop resistance is determined by the voltage level of the external power supply, as described by:

Standard Transmitter

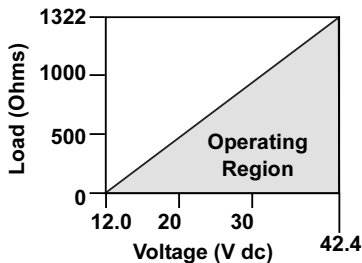
Maximum Loop Resistance = $43.5 * (\text{Power Supply Voltage} - 10.5)$



The HART communicator requires a minimum loop resistance of 250Ω for communication.

3051S HART Diagnostics Transmitter (option code DA1)

Maximum Loop Resistance = $43.5 * (\text{Power Supply Voltage} - 12.0)$



The HART communicator requires a minimum loop resistance of 250Ω for communication.

ASP™ Diagnostics Suite for HART (Option Code DA1)

The 3051S provides Abnormal Situation Prevention indication for a breakthrough in diagnostic capability. The New 3051S ASP™ Diagnostics Suite for HART includes Statistical Process Monitoring (SPM), variable logging with time stamp and advanced process alerts. The enhanced EDDL graphic display provides an intuitive and user-friendly interface to better visualize these diagnostics.

The integral SPM technology calculates the mean and standard deviation of the process variable 22 times per second and makes them available to the user. The 3051S uses these values and highly flexible configuration options for customization to detect many user-defined or application specific abnormal situations (e.g. detecting plugged impulse lines and fluid composition change). Variable logging with time stamp and advanced process alerts capture valuable process and sensor data to enable quick troubleshooting of application and installation issues.

FOUNDATION fieldbus

Power Supply

External power supply required; transmitters operate on 9.0 to 32.0 V dc transmitter terminal voltage.

Current Draw

17.5 mA for all configurations (including LCD display option)

FOUNDATION fieldbus Parameters

Schedule Entries	14 (max.)
Links	30 (max.)
Virtual Communications Relationships (VCR)	20 (max.)

Standard Function Blocks

Resource Block

- Contains hardware, electronics, and diagnostic information.

Transducer Block

- Contains actual sensor measurement data including the sensor diagnostics and the ability to trim the pressure sensor or recall factory defaults.

LCD Block

- Configures the local display.

2 Analog Input Blocks

- Processes the measurements for input into other function blocks. The output value is in engineering or custom units and contains a status indicating measurement quality.

PID Block with Auto-tune

- Contains all logic to perform PID control in the field including cascade and feedforward. Auto-tune capability allows for superior tuning for optimized control performance.

Backup Link Active Scheduler (LAS)

The transmitter can function as a Link Active Scheduler if the current link master device fails or is removed from the segment.

Software Upgrade in the Field

Software for the 3051S with FOUNDATION fieldbus is easy to upgrade in the field using the FOUNDATION fieldbus Common Device Software Download procedure.

PlantWeb Alerts

Enable the full power of the PlantWeb digital architecture by diagnosing instrumentation issues, communicating advisory, maintenance, and failure details, and recommending a solution.

Advanced Control Function Block Suite (Option Code A01)

Input Selector Block

- Selects between inputs and generates an output using specific selection strategies such as minimum, maximum, midpoint, average, or first "good."

Arithmetic Block

- Provides pre-defined application-based equations including flow with partial density compensation, electronic remote seals, hydrostatic tank gauging, ratio control and others.

Signal Characterizer Block

- Characterizes or approximates any function that defines an input/output relationship by configuring up to twenty X, Y coordinates. The block interpolates an output value for a given input value using the curve defined by the configured coordinates.

Integrator Block

- Compares the integrated or accumulated value from one or two variables to pre-trip and trip limits and generates discrete output signals when the limits are reached. This block is useful for calculating total flow, total mass, or volume over time.

Rosemount Compact Orifice Flowmeter Series

Product Data Sheet
00813-0100-4810, Rev HA
Catalog 2008 - 2009

Output Splitter Block

- Splits the output of one PID or other control block so that the PID will control two valves or other actuators.

Control Selector Block

- Selects one of up to three inputs (highest, middle, or lowest) that are normally connected to the outputs of PID or other control function blocks.

Block	Execution Time
Resource	-
Transducer	-
LCD Block	-
Analog Input 1, 2	20 milliseconds
PID with Auto-tune	35 milliseconds
Input Selector	20 milliseconds
Arithmetic	20 milliseconds
Signal Characterizer	20 milliseconds
Integrator	20 milliseconds
Output Splitter	20 milliseconds
Control Selector	20 milliseconds

Fully Compensated Mass Flow Block (Option Code H01)

Calculates fully compensated mass flow based on differential pressure with external process pressure and temperature measurements over the fieldbus segment. Configuration for the mass flow calculation is easily accomplished using the Rosemount 3095 Engineering Assistant.

ASP™ Diagnostics Suite for FOUNDATION fieldbus (Option Code D01)

The 3051S ASP™ Diagnostics Suite for FOUNDATION fieldbus provides Abnormal Situation Prevention indication and enhanced EDDL graphic displays for easy visual analysis.

The integral Statistical Process Monitoring (SPM) technology calculates the mean and standard deviation of the process variable 22 times per second and makes them available to the user. The 3051S uses these values and highly flexible configuration options for customization to detect many user-defined or application specific abnormal situations (e.g. detecting plugged impulse lines and fluid composition change).

Wireless Self-Organizing Networks

Output

Wireless enabled HART.

Transmit Rate

User selectable, 15 sec. to 60 min.

Power Module

Replaceable, Intrinsically Safe Lithium-thionyl chloride Power Module with polybutadine terephthalate (PBT) enclosure.

Five-year life at one minute transmit rate: ten-year life at ten minute transmit rate.⁽¹⁾

(1) Reference conditions are 70 °F (21 °C), and routing data for three additional network devices.

NOTE

Continuous exposure to ambient temperature limits, -40 °F (-40 °C) or 185 °F (85 °C), may reduce specified life by less than 20 percent.

Process Temperature Limits

Direct Mount Transmitter

- 450 °F (232 °C)

Remote Mount Transmitter

- 850 °F (454 °C) – Stainless Steel

Transmitter Temperature Limits

Ambient

- -40 to 185 °F (-40 to 85 °C)
- With Integral Display⁽¹⁾: -40 to 175 °F (-40 to 80 °C)

Storage

- -50 to 230 °F (-46 to 110 °C)
- With Integral Display: -40 to 185 °F (-40 to 85 °C)
- With Wireless Output (Code X): -40 to 185 °F (-40 to 85 °C)

Differential Pressure Limits

Maximum differential pressure (DP) up to 800 inH₂O.

Pressure Limits⁽²⁾

Direct Mount Transmitter

- Pressure retention per ANSI B16.5 600# or DIN PN

Static Pressure Limits

- Range 1A: Operates within specification between static line pressures of 0.5 psia to 2000 psig (0.03 to 138 bar)
- Ranges 2A– 3A: Operates within specifications between static line pressures of 0.5 psia and 3626 psig (0.03 bar-A to 250 bar-G)

Vibration Limits

Qualified per IEC61298-3 (1998) for field with high vibration level or pipeline with high vibration level (10-60Hz 0.21mm displacement peak amplitude / 60 - 500Hz 3g).

The weight and length of the transmitter assembly shall not exceed 5.8 lbs and 7.75-in.

Burst Pressure Limits

Coplanar or traditional process flange

- 10000 psig (689,5 bar)

(1) LCD display may not be readable and LCD updates will be slower at temperatures below -4 °F (-20 °C).

(2) Static pressure selection may effect pressure limitations.

Overpressure Limits

Transmitters withstand the following limits without damage:

- Range 1A: 2000 psig (138 bar)
- Ranges 2A–3A: 3626 psig (250 bar)

TABLE 2. Overpressure Limits⁽¹⁾

Standard	Type	Carbon Steel Rating	Stainless Steel Rating
ANSI/ASME	Class 150	285 (20)	275 (19)
ANSI/ASME	Class 300	740 (51)	720 (50)
ANSI/ASME	Class 600	1480 (102)	1440 (99)
<i>At 100 °F (38 °C), the rating decreases with increasing temperature.</i>			
DIN	PN 10/40	580 (40)	580 (40)
DIN	PN 10/16	232 (16)	232 (16)
DIN	PN 25/40	580 (40)	580 (40)
<i>At 248 °F (120 °C), the rating decreases with increasing temperature.</i>			

(1) Carbon Steel and Stainless Steel Ratings are measured in psig (bar).

Humidity Limits

- 0–100% relative humidity

Turn-On Time

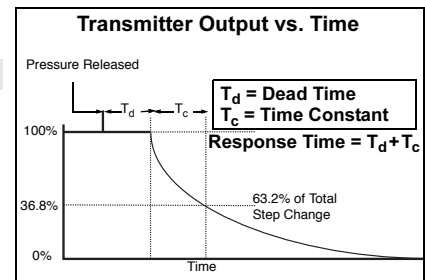
Performance within specifications less than 2 seconds (typical) after power is applied to the transmitter

Damping

Analog output response to a step input change is user-selectable from 0 to 60 seconds for one time constant. This software damping is in addition to sensor module response time

Dynamic Performance⁽¹⁾

	4 - 20 mA (HART [®]) ⁽²⁾	Fieldbus protocol ⁽³⁾	Typical Transmitter Response Time
Total Response Time (Td + Tc)⁽⁴⁾:			
3051S_C, Ranges 2A - 3A:	100 milliseconds	152 milliseconds	
Range 1A:	255 milliseconds	307 milliseconds	
Dead Time (Td)⁽⁵⁾			
	45 milliseconds (nominal)	97 milliseconds	
Update Rate	3051S 22 times per second	22 times per second	



(1) Does not apply to wireless output code X. See "Wireless Self-Organizing Networks" on page 6 for wireless transmit rate.

(2) Dead time and update rate apply to all models and ranges; analog output only

(3) Transmitter fieldbus output only, segment macro-cycle not included.

(4) Nominal total response time at 75 °F (24 °C) reference conditions. For option code DA1, add 45 milliseconds (nominal) to 4-20 mA (HART[®]) total response time values.

(5) For option code DA1, dead time (Td) is 90 milliseconds (nominal).

Failure Mode Alarm

HART 4-20mA (output option codes A and B)

If self-diagnostics detect a gross transmitter failure, the analog signal will be driven offscale to alert the user. Rosemount standard (default), NAMUR, and custom alarm levels are available (see Table 3).

High or low alarm signal is software-selectable or hardware-selectable via the optional switch (option D1).

TABLE 3. Alarm Configuration

	High Alarm	Low Alarm
Default	≥ 21.75 mA	≤ 3.75 mA
NAMUR compliant ⁽¹⁾	≥ 22.5 mA	≤ 3.6 mA
Custom levels ⁽²⁾	20.2 - 23.0 mA	3.6 - 3.8 mA

(1) Analog output levels are compliant with NAMUR recommendation NE 43, see option codes C4 or C5.

(2) Low alarm must be 0.1 mA less than low saturation and high alarm must be 0.1 mA greater than high saturation.

3051S Safety-Certified Transmitter Failure Values

Safety accuracy: 2.0%⁽¹⁾

Safety response time: 1.5 seconds

(1) A 2% variation of the transmitter mA output is allowed before a safety trip. Trip values in the DCS or safety logic solver should be derated by 2%.

Physical

Temperature Measurement

Remote RTD

- 100 Ohm platinum with 1/2-in. NPT nipple and union (078 series with Rosemount 644 housing)
Model 0078D21N00A025T32Ex
Connection Head: 00644-4410-0011
- Standard RTD cable is shielded armored cable, length is 12 feet (3.66 m)

Thermowell with Remote RTD

- 1/2-in. x 1/2-in. NPT, 316 SST

NOTE

Remote temperature measurement is not available for 1/2-in., 1-in., and 1 1/2-in. sizes.

Electronic Connections for Remote Mount

1/2-14 NPT, G1/2, and M20 x 1.5 (CM20) conduit. HART interface connections fixed to terminal block for output code A

Material of Construction

Body/Plate

- 316 SST
- 50 micro-inch Ra surface finish

Manifold Head/Valves

- 316 SST

Flange Studs and Nuts

- Customer supplied
- Available as a spare part

Transmitter Connection Studs and Nuts

- Studs— A193 Grade B8M.
- Nuts— A194 Grade 8M.

Gasket and O-rings

- Gaskets are customer supplied.
- Durlon 8500 fiber gaskets are recommended. Consult an Emerson Process Management representative for use with other gaskets.
- Available as a spare part

NOTE

Gaskets and O-rings must be replaced when the 405 is disassembled.

Process-Wetted Parts

Integral Manifolds

- 316 SST
- Hastelloy C-276

Remote Manifolds

- 316 SST
- Hastelloy C-276

Transmitter Vent Valves and Process Flanges

- 316 SST
- Hastelloy C-276
- Glass-filled PTFE O-rings

Process Isolating Diaphragms

- 316L SST
- Hastelloy C-276

Integral Manifold O-Rings

- PTFE/Graphite

Non-Wetted Parts

Sensor Module Fill Fluid

- Silicone oil
- Inert Fill optional

Cover O-rings

- Buna-N

Remote Mounting Brackets

- SST

Electronic Housing

- Low copper aluminum, NEMA 4x, IP65
- SST (optional)

Paint

- Polyurethane

Bolts

- CS

Transmitter Connections

Remote Mount

- Available with 1/4-in. (standard) or 1/2-in. (option code E) connections

Orifice Type

- Square edged, Wafer style

Orifice Pressure Taps

- Corner

Process Connections

Mounts between the following flange configurations:

ASME B16.5 (ANSI)	DIN	JIS
Class 150	PN16 (option code G)	10k (option code B)
Class 300	PN40 (option code H)	20k (option code R)
Class 600	PN100 (option code H)	40k (option code S)

ANSI alignment ring is included as standard when ordering.

Typical Orifice Hole Sizes (For 3051SFCC)

Beta is calculated by: $(\beta) = d_C / \text{Pipe ID}$, where the calculated bore is equal to 2 x typical orifice hole size ($d_C = 2d$). The table below shows the diameter of each of the four typical orifice holes.

TABLE 4. $\beta = 0.4$ ⁽¹⁾⁽²⁾

Line Size	3051SFCC	3051SFCP
1/2-in. (15 mm)	Not Available	0.249 (6.325)
1-in. (25 mm)	Not Available	0.420 (10.668)
1 1/2-in. (40 mm)	Not Available	0.644 (16.358)
2-in. (50 mm)	0.413 (10.490)	0.827 (21.006)
3-in. (80 mm)	0.614 (15.596)	1.227 (31.166)
4-in. (100 mm)	0.805 (20.447)	1.610 (40.894)
5-in. (125 mm)	1.009 (25.629)	2.019 (51.283)
6-in. (150 mm)	1.213 (30.810)	2.426 (61.620)
8-in. (200 mm)	1.596 (40.538)	3.192 (81.077)
10-in. (250 mm)	2.004 (50.902)	4.008 (101.80)
12-in. (300 mm)	2.400 (60.960)	4.800 (121.92)

TABLE 5. $\beta = 0.65$ ⁽¹⁾⁽²⁾

Line Size	3051SFCC	3051SFCP
1/2-in. (15 mm)	Not Available	0.404 (10.262)
1-in. (25 mm)	Not Available	0.682 (17.323)
1 1/2-in. (40 mm)	Not Available	1.047 (26.594)
2-in. (50 mm)	0.620 (15.748) ⁽³⁾	1.344 (34.138)
3-in. (80 mm)	0.997 (25.324)	1.994 (50.648)
4-in. (100 mm)	1.308 (33.223)	2.617 (66.472)
5-in. (125 mm)	1.640 (40.640)	3.281 (83.34)
6-in. (150 mm)	1.971 (50.063)	3.942 (100.127)
8-in. (200 mm)	2.594 (65.888)	5.188 (131.775)
10-in. (250 mm)	3.257 (82.728)	6.513 (165.43)
12-in. (300 mm)	3.900 (99.060)	7.800 (198.120)

(1) Measurement is in inches (millimeters)

(2) Tolerance = ± 0.002 -in.

(3) Beta (β) = 0.60-in. (15.24 mm) for 2-in. line size only.

3051SFC Weight

Line Size	Direct Mount (D3) ⁽¹⁾⁽²⁾	Remote Mount (R3) ⁽¹⁾
1/2-in. (15 mm)	10.7 (4.58)	7.5 (3.70)
1-in. (25 mm)	11.45 (5.19)	8.25 (4.07)
1 1/2-in. (40 mm)	11.95 (5.42)	8.75 (4.32)
2-in. (50 mm)	12.20 (5.53)	9.00 (4.44)
3-in. (80 mm)	14.20 (6.44)	11.00 (5.43)
4-in. (100 mm)	16.70 (7.57)	13.50 (6.67)
5-in. (125 mm)	18.45 (8.37)	15.25 (7.53)
6-in. (150 mm)	20.20 (9.16)	17.00 (8.40)
8-in. (200 mm)	25.45 (11.54)	22.25 (10.99)
10-in. (250 mm)	30.70 (13.92)	27.50 (13.58)
12-in. (300 mm)	36.70 (16.64)	33.50 (16.54)

(1) Measurement in lb (kg).

(2) Includes 3051S Coplanar PlantWeb housing transmitter.

3095MFC Weight

Line Size	Direct Mount (D3) ⁽¹⁾⁽²⁾	Remote Mount (R3) ⁽¹⁾
1/2-in. (15 mm)	9.50 (4.69)	6.3 (3.11)
1-in. (25 mm)	10.25 (5.06)	7.05 (3.48)
1 1/2-in. (40 mm)	10.75 (5.31)	7.55 (3.73)
2-in. (50 mm)	11.00 (5.43)	7.80 (3.85)
3-in. (80 mm)	13.00 (6.42)	9.80 (4.84)
4-in. (100 mm)	15.50 (7.65)	12.30 (6.07)
5-in. (125 mm)	17.25 (8.52)	14.05 (6.94)
6-in. (150 mm)	19.00 (9.38)	15.80 (7.80)
8-in. (200 mm)	24.25 (11.98)	21.05 (10.40)
10-in. (250 mm)	29.50 (14.57)	26.30 (12.9)
12-in. (300 mm)	35.50 (17.53)	32.30 (15.95)

(1) Measurement in lb (kg).

(2) Includes 3095 MultiVariable transmitter.

405 Weight

Line Size	Direct Mount (D3) ⁽¹⁾⁽²⁾	Remote Mount (R3) ⁽¹⁾
1/2-in. (15 mm)	3.50 (1.73)	7.5 (3.70)
1-in. (25 mm)	4.25 (2.10)	8.25 (4.07)
1 1/2-in. (40 mm)	4.75 (2.34)	8.75 (4.32)
2-in. (50 mm)	5.00 (2.47)	9.00 (4.44)
3-in. (80 mm)	7.00 (3.45)	11.00 (5.43)
4-in. (100 mm)	9.50 (4.69)	13.50 (6.67)
5-in. (125 mm)	11.25 (5.55)	15.25 (7.53)
6-in. (150 mm)	13.00 (6.41)	17.00 (8.40)
8-in. (200 mm)	18.25 (9.00)	22.25 (10.99)
10-in. (250 mm)	23.50 (11.59)	27.50 (13.58)
12-in. (300 mm)	29.50 (14.55)	33.50 (16.54)

(1) Measurement in lb (kg).

(2) Includes 405 Direct Mount option D3.

Rosemount Compact Orifice Flowmeter Series

Product Data Sheet
00813-0100-4810, Rev HA
Catalog 2008 - 2009

Installation Considerations

Straight Run Requirements

TABLE 6. 3051SFCC Straight Pipe Requirements⁽¹⁾

	Beta	0.40	0.65
	Upstream (inlet) side of primary	Reducer (1 line size)	2
Single 90° bend or tee		2	2
Two or more 90° bends in the same plane		2	2
Two or more 90° bends in different plane		2	2
Up to 10° of swirl		2	2
Butterfly valve (75% to 100% open)		2	N/A
Downstream (outlet) side of primary		2	2

TABLE 7. 3051SFCP Straight Pipe Requirements⁽¹⁾⁽²⁾⁽³⁾

	Beta	0.40	0.65
	Upstream (inlet) side of primary	Reducer (1 line size)	5
Single 90° bend or tee		16	44
Two or more 90° bends in the same plane		10	44
Two or more 90° bends in different plane		50	60
Expander		12	28
Ball / Gate valve fully open		12	18
Downstream (outlet) side of primary		6	7

- (1) Consult an Emerson Process Management representative if disturbance is not listed.
- (2) Recommended lengths represented in pipe diameters per ISO 5167.
- (3) Refer to ISO 5167 for recommended lengths when using flow straighteners.

Pipe Orientation

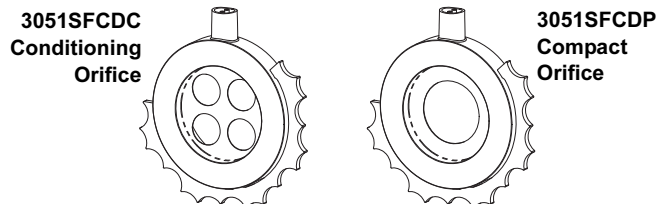
Pipe orientation for both 3051SFCC Compact Conditioning and standard 3051SFCP Compact Orifice.

Orientation/ Flow Direction	Process ⁽¹⁾		
	Gas	Liquid	Steam
Horizontal	D/R	D/R	D/R
Vertical Up	R	D/R	R
Vertical Down	D/R	NR	NR

- (1) D = Direct mount acceptable (recommended)
R = Remote mount acceptable
NR = Not recommended

Pipe Centering

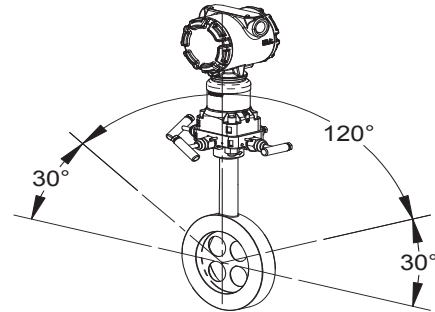
Improper centering of any orifice type device can cause an error of up to ±5% in small line sizes. A centering mechanism (centering ring) independent of flange rating comes standard with the 405 Compact Orifice Series.



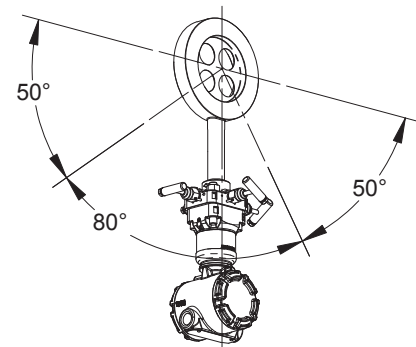
Flowmeter Orientation

Flowmeter orientation for both 3051SFC Conditioning Compact Orifice and standard Compact Orifice.

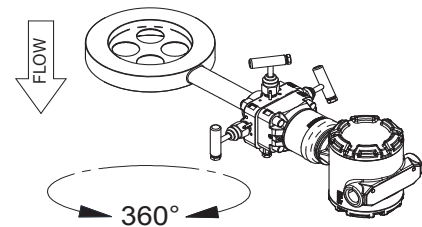
Gas (Horizontal)



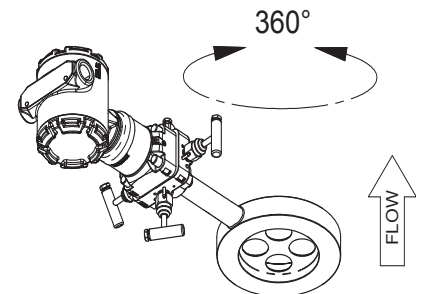
Liquid and Steam (Horizontal)



Gas (Vertical)



Liquid (Vertical)



PRODUCT CERTIFICATIONS

Approved Manufacturing Locations

Rosemount Inc. — Chanhassen, Minnesota USA
Emerson Process Management GmbH & Co. — Wessling, Germany
Emerson Process Management Asia Pacific Private Limited — Singapore
Beijing Rosemount Far East Instrument Co., LTD — Beijing, China

European Directive Information

The EC declaration of conformity for all applicable European directives for this product can be found at www.rosemount.com. A hard copy may be obtained by contacting an Emerson Process Management representative.

ATEX Directive (94/9/EC)

Emerson Process Management complies with the ATEX Directive.

European Pressure Equipment Directive (PED) (97/23/EC)

Models 3051S_CA4; 3051S_CD2, 3, 4, 5; (also with P9 option)
Pressure Transmitters — QS Certificate of Assessment - EC No. PED-H-20, Module H Conformity Assessment
All other Model 3051S Pressure Transmitters — Sound Engineering Practice
Transmitter Attachments: Diaphragm Seal - Process Flange - Manifold — Sound Engineering Practice
Primary Elements, Flowmeter — See appropriate Primary Element QIG

Electro Magnetic Compatibility (EMC) (89/336/EEC)

All Models: EN 50081-1: 1992; EN 50082-2:1995; EN 61326-1:1997 – Industrial

Ordinary Location Certification for FM

As standard, the transmitter has been examined and tested to determine that the design meets basic electrical, mechanical, and fire protection requirements by FM, a nationally recognized testing laboratory (NRTL) as accredited by the Federal Occupational Safety and Health Administration (OSHA).

Hazardous Locations Certifications

North American Certifications

FM Approvals

E5 Explosion-proof for Class I, Division 1, Groups B, C, and D; dust-ignition proof for Class II and Class III, Division 1, Groups E, F, and G; hazardous locations; enclosure Type 4X, conduit seal not required when installed according to Rosemount drawing 03151-1003.

15/IE Intrinsically Safe for use in Class I, Division 1, Groups A, B, C, and D; Class II, Division 1, Groups E, F, and G; Class III, Division 1; Class I, Zone 0 AEx ia IIC when connected in accordance with Rosemount drawing 03151-1006; Non-incendive for Class I, Division 2, Groups A, B, C, and D Enclosure Type 4X
For entity parameters see control drawing 03151-1006.

Canadian Standards Association (CSA)

E6 Explosion-proof for Class I, Division 1, Groups B, C, and D; Dust-Ignition-Proof for Class II and Class III, Division 1, Groups E, F, and G; suitable for Class I, Division 2, Groups A, B, C, and D, when installed per Rosemount drawing 03151-1013, CSA Enclosure Type 4X; conduit seal not required.

16/IF Intrinsically Safe for Class I, Division 1, Groups A, B, C, and D when connected in accordance with Rosemount drawings 03151-1016;
For entity parameters see control drawing 03151-1016.

European Certifications



11/IA ATEX Intrinsic Safety
Certificate No.: BAS01ATEX1303X  II 1G
EEx ia IIC T4 (T_a = -60 °C to 70 °C) -HART/Remote Display/Quick Connect/HART Diagnostics
EEx ia IIC T4 (T_a = -60 °C to 70 °C) -FOUNDATION fieldbus
EEx ia IIC T4 (T_a = -60 °C to 40 °C) -FISCO
IP66
CE 1180

TABLE 8. Input Parameters

Loop / Power	Groups
U _i = 30 V	HART / FOUNDATION fieldbus / Remote Display / Quick Connect / HART Diagnostics
U _i = 17.5 V	FISCO
I _i = 300 mA	HART / FOUNDATION fieldbus / Remote Display / Quick Connect / HART Diagnostics
I _i = 380 mA	FISCO
P _i = 1.0 W	HART / Remote Display / Quick Connect / HART Diagnostics
P _i = 1.3 W	FOUNDATION fieldbus
P _i = 5.32 W	FISCO
C _i = 30 nF	SuperModule Platform / Quick Connect
C _i = 11.4 nF	HART / HART Diagnostics
C _i = 0	FOUNDATION fieldbus / Remote Display / FISCO
L _i = 0	HART / FOUNDATION fieldbus / FISCO / Quick Connect / HART Diagnostics
L _i = 60 µH	Remote Display


Special conditions for safe use (x)

- The apparatus, excluding the Types 3051 S-T and 3051 S-C (In-line and *Coplanar SuperModules* respectively), is not capable of withstanding the 500V test as defined in Clause 6.4.12 of EN 50020. This must be considered during installation.
- The terminal pins of the Types 3051 S-T and 3051 S-C must be protected to IP20 minimum.

N1 ATEX Type n
Certificate No.: BAS01ATEX3304X  II 3 G
EEx nL IIC T4 ($T_a = -40\text{ °C TO } 70\text{ °C}$)
 $U_i = 45\text{ Vdc max}$
IP66
CE


Special conditions for safe use (x)

The apparatus is not capable of withstanding the 500V insulation test required by Clause 9.1 of EN 50021: 1999. This must be taken into account when installing the apparatus.

ND ATEX Dust
Certificate No.: BAS01ATEX1374X  II 1 D
 $T_{105\text{ °C}} (-20\text{ °C} \leq T_{\text{amb}} \leq 85\text{ °C})$
 $V_{\text{max}} = 42.4\text{ volts max}$
 $A = 22\text{ mA}$
IP66
CE 1180

Special conditions for safe use (x)

1. The user must ensure that the maximum rated voltage and current (42.4 volts, 22 milliampere, DC) are not exceeded. All connections to other apparatus or associated apparatus shall have control over this voltage and current equivalent to a category "ib" circuit according to EN 50020.
2. Cable entries must be used which maintain the ingress protection of the enclosure to at least IP66.
3. Unused cable entries must be filled with suitable blanking plugs which maintain the ingress protection of the enclosure to at least IP66.
4. Cable entries and blanking plugs must be suitable for the ambient range of the apparatus and capable of withstanding a 7J impact test.
5. The 3051S must be securely screwed in place to maintain the ingress protection of the enclosure.

E1 ATEX Flameproof
Certificate No.: KEMA00ATEX2143X  II 1/2 G
EEx d IIC T6 ($-50\text{ °C} \leq T_{\text{amb}} \leq 65\text{ °C}$)
EEx d IIC T5 ($-50\text{ °C} \leq T_{\text{amb}} \leq 80\text{ °C}$)
 $V_{\text{max}} = 42.4\text{V}$
CE 1180

Special conditions for safe use (x)

This device contains a thin wall diaphragm. Installation, maintenance and use shall take into account the environmental conditions to which the diaphragm will be subjected. The manufacturer's instructions for installation and maintenance shall be followed in detail to assure safety during its expected lifetime. The Model 3051S pressure transmitter must include a Series 300S housing integrally mounted to a Series Model 3051S Sensor module as per Rosemount drawing 03151-1023.

Japanese Certifications

E4 TIIS Flameproof
Ex d IIC T6

Certificate	Description
TC15682	Coplanar with Junction Box Housing
TC15683	Coplanar with PlantWeb Housing
TC15684	Coplanar with PlantWeb Housing and LCD Display
TC15685	In-Line SST with Junction Box Housing
TC15686	In-Line Hastelloy with Junction Box Housing
TC15687	In-Line SST with PlantWeb Housing
TC15688	In-Line Hastelloy with Plantweb Housing
TC15689	In-Line SST with Plantweb Housing and LCD Display
TC15690	In-Line Hastelloy with PlantWeb Housing and LCD Display

Australian Certifications

E7 SAA Flameproof and Dust Ignition-proof
Certification No.: AUS Ex 3798X
Ex d IIC T6 ($T_a = 60\text{ °C}$) IP66
DIP A21 TA T6 ($T_a = 60\text{ °C}$) IP66

Special conditions for safe use (x)

1. It is a condition of safe use that each housing shall be connected to external circuits via suitable conduit or Standards Australia certified cable glands. Where only one entry is used for connection to external circuits, the unused entry shall be closed by means of the blanking plug supplied by the equipment manufacturer or by a suitable Standards Australia certified blanking plug.
2. It is a condition of safe use that a dielectric strength test shall be applied whenever the terminal block is changed or replaced in either the dual compartment or single compartment housings. The breakdown current shall be less than 5 mA, when 500 V, 47 to 62 Hz, is applied for one minute. Note: if tested with an optional T1 transient protector terminal block fitted, the protection will operate and hence there will be no current indicated.
3. It is a condition of safe use that each transmitter module shall be used with a Model 300S housing, in order to comply with flameproof requirements.
4. It is a condition of safe use that each model 300S housing fitted with a transmitter module shall be marked with the same certification marking code information. Should the housing be replaced after initial supply to another model 300S housing, the replacement housing shall have the same certification marking code information as the housing it replaces.

IECEX Certifications

I7/IG IECEX Intrinsic Safety

Certificate No.: IECEXBAS04.0017X
 Ex ia IIC T4 (T_a = -60 °C to 70 °C) -HART/Remote
 Display/Quick Connect/HART Diagnostics
 Ex ia IIC T4 (T_a = -60 °C to 70 °C) -FOUNDATION fieldbus
 Ex ia IIC T4 (T_a = -60 °C to 40 °C) -FISCO
 IP66

TABLE 9. Input Parameters

Loop / Power	Groups
U _i = 30 V	HART / FOUNDATION fieldbus/ Remote Display / Quick Connect / HART Diagnostics
U _i = 17.5 V	FISCO
I _i = 300 mA	HART / FOUNDATION fieldbus/ Remote Display / Quick Connect / HART Diagnostics
I _i = 380 mA	FISCO
P _i = 1.0 W	HART / Remote Display / Quick Connect / HART Diagnostics
P _i = 1.3 W	FOUNDATION fieldbus
P _i = 5.32 W	FISCO
C _i = 30 nF	SuperModule Platform / Quick Connect
C _i = 11.4 nF	HART / HART Diagnostics
C _i = 0	FOUNDATION fieldbus / Remote Display / FISCO / Quick Connect / HART Diagnostics
L _i = 0	HART / FOUNDATION fieldbus / FISCO / Quick Connect / HART Diagnostics
L _i = 60 μH	Remote Display

Special conditions for safe use (x)

1. The Models 3051S HART 4-20mA, 3051S fieldbus, 3051S Profibus and 3051S FISCO are not capable of withstanding the 500V test as defined in clause 6.4.12 of IEC 60079-11. This must be taken into account during installation.
2. The terminal pins of the Types 3051S-T and 3051S-C must be protected to IP20 minimum.

N7 IECEX Type n

Certificate No.: IECEXBAS04.0018X
 Ex nC IIC T4 (T_a = -40 °C to 70 °C)
 U_i = 45 Vdc MAX
 IP66

Special conditions for safe use (x)

The apparatus is not capable of withstanding the 500 V insulation test required by Clause 8 of IEC 79-15: 1987.

Combinations of Certifications

Stainless steel certification tag is provided when optional approval is specified. Once a device labeled with multiple approval types is installed, it should not be reinstalled using any other approval types. Permanently mark the approval label to distinguish it from unused approval types.

- K1** Combination of E1, I1, N1, and ND
- K5** Combination of E5 and I5
- K6** Combination of E6 and I6
- K7** Combination of E7, I7, and N7
- KA** Combination of E1, I1, E6, and I6
- KB** Combination of E5, I5, I6 and E6
- KC** Combination of E5, E1, I5 and I1
- KD** Combination of E5, I5, E6, I6, E1, and I1

WIRELESS CERTIFICATIONS

Telecommunication Compliance

All wireless devices require certification to ensure that they adhere to regulations regarding the use of the RF spectrum. Nearly every country requires this type of product certification. Emerson is working with governmental agencies around the world to supply fully compliant products and remove the risk of violating country directives or laws governing wireless device usage.

FCC and IC Approvals

This device complies with Part 15 of the FCC Rules. Operation is subject to the following conditions: This device may not cause harmful interference this device must accept any interference received, including interference that may cause undesired operation.

This device must be installed to ensure a minimum antenna separation distance of 20cm from all persons.

Ordinary Location Certification for FM

As standard, the transmitter has been examined and tested to determine that the design meets basic electrical, mechanical, and fire protection requirements by FM, a nationally recognized testing laboratory (NRTL) as accredited by the Federal Occupational Safety and Health Administration (OSHA).

European Directive Information

The EC declaration of conformity for all applicable European directives for this product can be found at www.rosemount.com. A hard copy may be obtained by contacting an Emerson Process Management representative.

ATEX Directive (94/9/EC)

Emerson Process Management complies with the ATEX Directive.

European Pressure Equipment Directive (PED) (97/23/EC)

Models 3051S_CA4; 3051S_CD2, 3, 4, 5; (also with P9 option)
Pressure Transmitters — QS Certificate of Assessment -
EC No. PED-H-100, Module H Conformity Assessment

All other Model 3051S Pressure Transmitters
— Sound Engineering Practice

Transmitter Attachments: Diaphragm Seal - Process Flange -
Manifold — Sound Engineering Practice

Primary Elements, Flowmeter

— See appropriate Primary Element QIG

Electro Magnetic Compatibility (EMC) (2004/108/EC)

All Models: EN 50081-1: 1992; EN 50082-2:1995;
EN 61326-1:1997 + A1, A2, and A3 – Industrial

Radio and Telecommunications Terminal Equipment Directive (R&TTE)(1999/5/EC)

Emerson Process Management complies with the R&TTE Directive.

Hazardous Locations Certifications

North American Certifications


Factory Mutual (FM) Approvals

- 15** FM Intrinsically Safe, Non-Incendive, and Dust Ignition-proof.
Intrinsically Safe for Class I/II/III, Division 1,
Groups A, B, C, D, E, F, and G.
Zone Marking: Class I, Zone 0, AEx ia IIC
Temperature Codes T4 ($T_{amb} = -50$ to $70^{\circ}C$)
Non-Incendive for Class I, Division 2, Groups A, B, C, and D.
Dust Ignition-proof for Class II/III, Division 1,
Groups E, F, and G.
Ambient temperature limits: -50 to $85^{\circ}C$
For use with Rosemount SmartPower options
00753-9220-XXXX only.
Enclosure Type 4X / IP66

CSA - Canadian Standards Association

- 16** CSA Intrinsically Safe
Intrinsically Safe for Class I, Division 1, Groups A, B, C, and D.
Temp Code T3C
Enclosure Type 4X / IP66
For use with Rosemount SmartPower options
00753-9220-XXXX only.

European Certifications

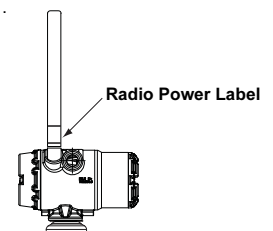
- 11** ATEX Intrinsic Safety
Certificate No.: BAS01ATEX1303X  II 1G
Ex ia IIC T4 ($T_a = -60^{\circ}C$ to $70^{\circ}C$)
IP66
For use with Rosemount SmartPower options
00753-9220-XXXX only.
CE 1180



Country	Restriction
Bulgaria	General authorization required for outdoor use and public service
France	Outdoor use limited to 10mW e.i.r.p.
Italy	If used outside of own premises, general authorization is required.
Norway	May be restricted in the geographical area within a radius of 20 km from the center of Ny-Alesund.
Romania	Use on a secondary basis. Individual license required.

Radio Power Label (See Figure 1) indicates output power configuration of the radio. Devices with this label are configured for output power less than 10 mW e.i.r.p. At time of purchase the customer must specify ultimate country of installation and operation.

Figure 1.



IECEx Certifications

- 17** IECEx Intrinsic Safety
Certificate No.: IECEx BAS 04.0017X
Ex ia IIC T4 ($T_a = -60^{\circ}C$ to $70^{\circ}C$)
For use with Rosemount SmartPower options
00753-9220-XXXX only.
IP66

DIMENSIONAL DRAWINGS

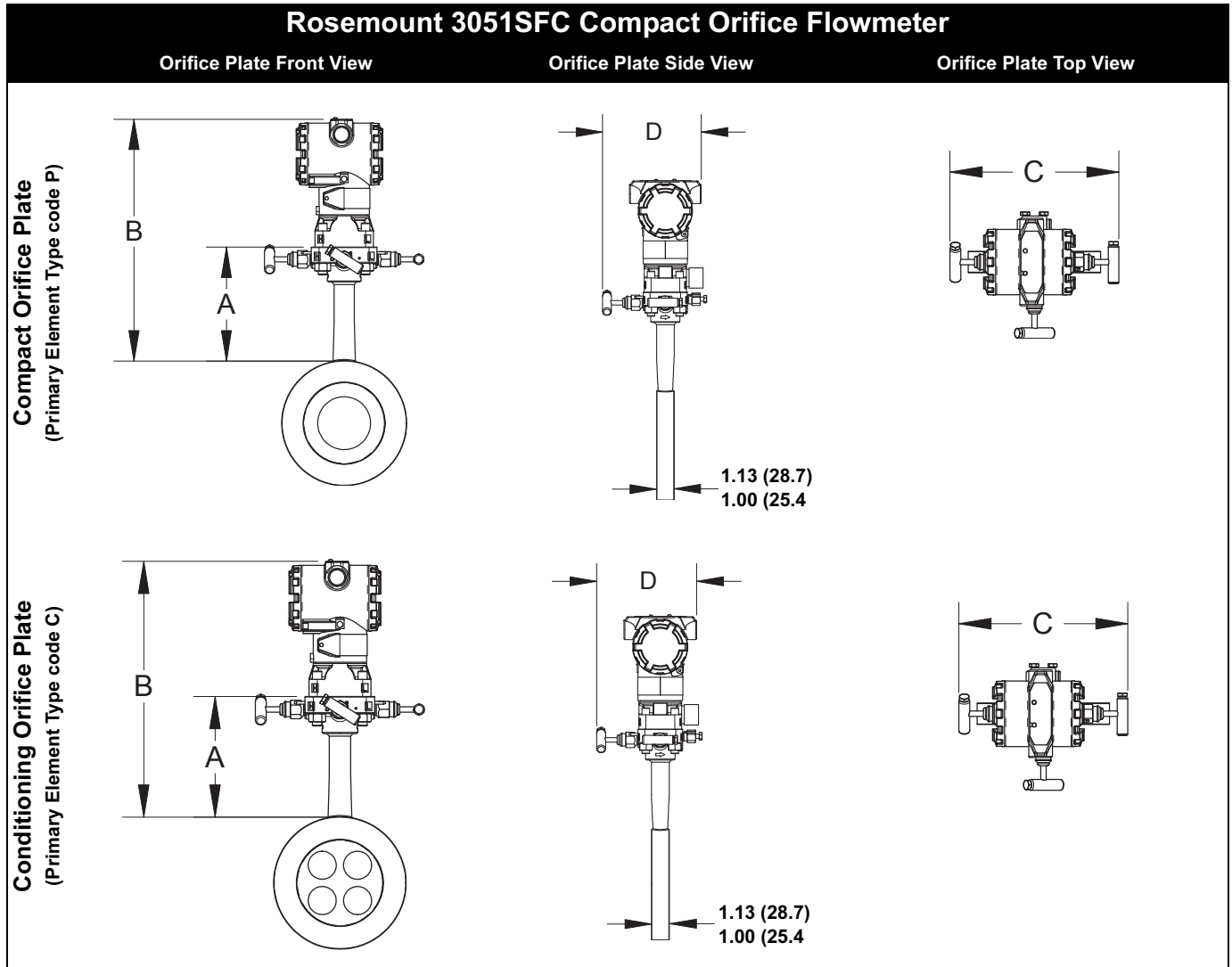


TABLE 10. Dimensional Drawings⁽¹⁾

Plate Type	A	B	Transmitter Height	C	D
Type P and C	5.50 (140)	Transmitter Height + A	7.75 (197)	7.75 (197) - closed 8.25 (210) - open	6.00 (152) - closed 6.25 (159) - open

(1) Measurement in inches (millimeters).

Rosemount Compact Orifice Flowmeter Series

Product Data Sheet
00813-0100-4810, Rev HA
Catalog 2008 - 2009

ORDERING INFORMATION

Rosemount 3051SFC Compact Orifice Flowmeter Ordering Information

Model	Product Description
3051SFC	Compact Orifice Flowmeter
Code	Measurement Type
D	Differential Pressure
Code	Primary Element Type
C	Conditioning Orifice Plate
P	Orifice Plate
Code	Material Type
S	316 Stainless Steel (SST)
H ⁽¹⁾	Hastelloy
Code	Line Size
005 ⁽²⁾	1/2-in. (15 mm)
010 ⁽²⁾	1-in. (25 mm)
015 ⁽²⁾	1 1/2-in. (40 mm)
020	2-in. (50 mm)
030	3-in. (80 mm)
040	4-in. (100 mm)
050 ⁽¹⁾	5-in. (125 mm)
060	6-in. (150 mm)
080	8-in. (200 mm)
100 ⁽¹⁾	10-in. (250 mm)
120 ⁽¹⁾	12-in. (300 mm)
Code	Primary Element Style
N	Square Edged
Code	Beta Ratio
040	0.40 Beta Ratio (β)
065 ⁽³⁾	0.65 Beta Ratio (β)
Code	Temperature Measurement
R	Remote Thermowell and RTD
T ⁽¹⁾	Integral RTD and Thermowell
0	No Temperature Sensor
Code	Transmitter Connection Platform
3	Direct-mount, 3-valve integral manifold, SST
7	Remote-mount, 1/4-in. NPT connections
Code	Differential Pressure Range
1	0 to 25 in H ₂ O (0 to 62.2 mbar)
2	0 to 250 in H ₂ O (0 to 623 mbar)
3	0 to 1000 in H ₂ O (0 to 2.5 bar)
Code	Static Pressure Range
A	None
Code	Output Protocol
A	4–20 mA with digital signal based on HART protocol
F ⁽⁴⁾	FOUNDATION fieldbus protocol
X ⁽⁵⁾	Wireless (Requires wireless options and wireless housing 5A)

Rosemount 3051SFC Compact Orifice Flowmeter Ordering Information

Code	Transmitter Housing Style	Material	Conduit Entry Size
00	None (Customer-supplied electrical connection)		
01	Assemble to Rosemount 753R Web-based Monitoring Indicator		
1A	<i>PlantWeb</i> Housing	Aluminum	1/2-14 NPT
1B	<i>PlantWeb</i> Housing	Aluminum	M20 x 1.5 (CM20)
1C	<i>PlantWeb</i> Housing	Aluminum	G ^{1/2}
1J	<i>PlantWeb</i> Housing	316L SST	1/2-14 NPT
1K	<i>PlantWeb</i> Housing	316L SST	M20 x 1.5 (CM20)
1L	<i>PlantWeb</i> Housing	316L SST	G ^{1/2}
2A	Junction Box Housing	Aluminum	1/2-14 NPT
2B	Junction Box Housing	Aluminum	M20 x 1.5 (CM20)
2C	Junction Box Housing	Aluminum	G ^{1/2}
2E	Junction Box housing with output for remote display and interface	Aluminum	1/2-14 NPT
2F	Junction Box housing with output for remote display and interface	Aluminum	M20 x 1.5 (CM20)
2G	Junction Box housing with output for remote display and interface	Aluminum	G ^{1/2}
2J	Junction Box Housing	316L SST	1/2-14 NPT
2M	Junction Box housing with output for remote display and interface	316L SST	1/2-14 NPT
5A	Wireless <i>PlantWeb</i> housing	Aluminum	M20 x 1.5 (CM20)
7J ⁽⁶⁾	Quick Connect (A size Mini, 4-pin male termination)		
Code	Transmitter Performance Class for Flow		
1 ⁽⁷⁾	Ultra: up to ± 0.85% flow rate accuracy, 8:1 flow turndown, 10-year stability, limited 12-year warranty		
2	Classic: up to ± 1.05% flow rate accuracy, 8:1 flow turndown, 5-year stability		
3 ⁽⁷⁾	Ultra for Flow: up to ± 0.75% flow rate accuracy, 14:1 flow turndown, 10-year stability, limited 12-year warranty		
Code	Options		
Installation Accessories			
G	DIN Alignment Ring (PN 16)		
H	DIN Alignment Ring (PN 40, PN 100)		
B	JIS Alignment Ring 10K		
R	JIS Alignment Ring 20K		
S	JIS Alignment Ring 40K		
Remote Adapters			
E	Flange adapters 316 SST (1/2-in. NPT)		
High Temperature Applications			
T	Graphite valve packing (Tmax = 850 °F)		
Flow Calibration			
WC ⁽⁸⁾	Discharge coefficient verification (3 point)		
WD ⁽⁸⁾	Discharge coefficient verification (10 point)		
Pressure Testing			
P1	Hydrostatic testing with certificate		
Special Cleaning			
P2	Cleaning for special processes		
PA	Cleaning per ASTM G93 Level D (section 11.4)		
Special Inspection			
QC1	Visual and dimensional inspection with certificate		
QC7	Inspection and performance certificate		
Transmitter Calibration Certification			
Q4	Calibration Data Certificate for Transmitter		
QP	Calibration Data Certificate and Tamper Evident Seal		
Safety Certification			
QS	Certificate of FMEDA data		
QT ⁽⁹⁾	Safety Certified to IEC 61508 with certificate of FMEDA data		
Material Traceability Certifications			
Q8 ⁽¹⁰⁾	Material Cert per ISO 10474 3.1.B and EN 10204 3.1.B		

Rosemount Compact Orifice Flowmeter Series

Product Data Sheet
00813-0100-4810, Rev HA
Catalog 2008 - 2009

Rosemount 3051SFC Compact Orifice Flowmeter Ordering Information

Code Conformance	
J2	ANSI B31.1
J3	ANSI B31.3
J4	ANSI B31.8
Material Conformance	
J5 ⁽¹¹⁾	NACE MR-0175 / ISO 15156
Country Certification	
J1	Canadian Registration
Product Certifications	
E1	ATEX Flameproof
I1	ATEX Intrinsic Safety
IE	FM FISCO Intrinsically Safe; for FOUNDATION fieldbus protocol only
IF	CSA FISCO Intrinsically Safe; for FOUNDATION fieldbus protocol only
IA ⁽¹⁾	ATEX FISCO Intrinsic Safety; for FOUNDATION fieldbus protocol only
N1	ATEX Type n
ND	ATEX Dust
K1	ATEX Flameproof, Intrinsic Safety, Type n, Dust (combination of E1, I1, N1, and ND)
E4	TIIS Flameproof
E5	FM Explosion-proof, Dust Ignition-proof
I5	FM Intrinsically Safe, Division 2
K5	FM Explosion-proof, Dust Ignition-proof, Intrinsically Safe, Division 2 (combination of E5 and I5)
E6	CSA Explosion-proof, Dust Ignition-proof, Division 2
I6	CSA Intrinsically Safe
K6	CSA Explosion-proof, Dust Ignition-proof, Intrinsically Safe, Division 2 (combination of E6 and I6)
E7 ⁽¹⁾	SAA Flameproof, Dust Ignition-proof
I7	IECEX Intrinsic Safety
IG	IECEX FISCO Intrinsic Safety; for FOUNDATION fieldbus protocol only
N7	IECEX Type n
K7	SAA Flameproof, Dust Ignition-proof, IECEX Intrinsic Safety, Type n (combination of E7, I7, and N7)
KA	ATEX and CSA Flameproof, Intrinsically Safe, Division 2 (combination of E1, I1, E6, and I6) <i>Note: Only available on Housing Style codes 00, 1A, 1J, 2A, 2J, 2E, or 2M.</i>
KB	FM and CSA Explosion-proof, Dust Ignition-proof, Intrinsically Safe, Division 2 (combination of E5, E6, I5, and I6) <i>Note: Only available on Housing Style codes 00, 1A, 1J, 2A, 2J, 2E, or 2M.</i>
KC	FM and ATEX Explosion-proof, Intrinsically Safe, Division 2 (combination of E5, E1, I5, and I1) <i>Note: Only available on Housing Style codes 00, 1A, 1J, 2A, 2J, 2E, or 2M.</i>
KD	FM, CSA, and ATEX Explosion-proof, Intrinsically Safe (combination of E5, I5, E6, I6, E1, and I1) <i>Note: Only available on Housing Style codes 00, 1A, 1J, 2A, 2J, 2E, or 2M.</i>
Alternative Transmitter Material of Construction	
L1	Inert Sensor Fill Fluid
L2	Graphite-filled PTFE o-ring
LA	Inert sensor fill fluid and graphite-filled PTFE o-ring
Display⁽¹²⁾	
M5	PlantWeb LCD display
M7 ⁽⁷⁾⁽¹³⁾	Remote mount LCD display and interface, no cable; PlantWeb housing, SST bracket, requires 4-20 mA / HART output
M8 ⁽⁷⁾⁽¹³⁾	Remote mount LCD display and interface, 50 ft. (15 m) cable; PlantWeb housing, SST bracket, requires 4-20 mA / HART output
M9 ⁽⁷⁾⁽¹³⁾	Remote mount LCD display and interface, 100 ft. (31 m) cable; PlantWeb housing, SST bracket, requires 4-20 mA / Hart output
Terminal Blocks	
T1 ⁽¹⁴⁾	Transient terminal block
T2 ⁽¹⁵⁾	Terminal block with WAGO spring clamp terminals
T3 ⁽¹⁵⁾	Transient terminal block with WAGO spring clamp terminals
Manifold for Remote Mount Option	
F2	3-Valve Manifold, SST
F6	5-Valve Manifold, SST
PlantWeb Control Functionality	
A01 ⁽¹⁶⁾	FOUNDATION fieldbus Advanced Control Function Block Suite
PlantWeb Diagnostic Functionality	
D01 ⁽¹⁶⁾	FOUNDATION fieldbus Diagnostics Suite
DA1 ⁽¹⁷⁾	HART Diagnostic Suite

Rosemount 3051SFC Compact Orifice Flowmeter Ordering Information

PlantWeb Enhanced Measurement Functionality

H01⁽¹⁶⁾⁽¹⁸⁾ Fully Compensated Mass Flow Block

Code Wireless Options - Select code from each wireless category (example: WA2WK1)

Wireless Transmit Rate

WA User Configurable Transmit Rate

Operating Frequency and Protocol

1 2.4 GHz DSSS, HART

2 900 MHz FHSS, HART

Antenna

WK Omnidirectional, Integral Antenna

SmartPower™

1 Long-life Power Module Adapter, Intrinsically Safe

NOTE: Long-life Power Module must be shipped separately, order Part No. 00753-9220-0001.

Code Options

Special Configuration (Software)

C4⁽⁷⁾⁽¹⁹⁾ NAMUR alarm and saturation signal levels, high alarm

C5⁽⁷⁾⁽¹⁹⁾ NAMUR alarm and saturation signal levels, low alarm

C6⁽⁷⁾⁽¹⁹⁾ Custom alarm and saturation signal levels, high alarm

Note: A Configuration Data Sheet must be completed, see document number 00806-0100-4810.

C7⁽⁷⁾⁽¹⁹⁾ Custom alarm and saturation signal levels, low alarm

Note: A Configuration Data Sheet must be completed, see document number 00806-0100-4810.

C8⁽⁷⁾⁽¹⁹⁾ Low alarm (standard Rosemount alarm and saturation signal levels)

Special Configuration (Hardware)

D1⁽⁷⁾⁽¹⁹⁾ Hardware Adjustment (zero, span, alarm, security).

D4 External ground screw

DA⁽⁷⁾⁽¹⁹⁾ Hardware adjustment (zero, span, alarm, security) and external ground screw

Conduit Electrical Connector

ZE⁽²⁰⁾ M12, 4-pin, Male Connector (eurofast®)

ZM⁽²⁰⁾ A size Mini, 4-pin, Male Connector (minifast®)

(1) Consult factory for availability.

(2) Not available for Primary Element Type code C.

(3) For 2-in. (50.8 mm) line sizes the Beta Ratio is 0.6 for Primary Element Type code C.

(4) Requires PlantWeb housing.

(5) Available approvals are FM Intrinsically Safe, Division 2 (option code I5), CSA Intrinsically Safe (option code I6), ATEX Intrinsic Safety (option code I1; only available with 2.4 GHz), and IECEx Intrinsic Safety (option code I7; only available with 2.4 GHz).

(6) Available with output code A only. Available approvals are FM Intrinsically Safe, Division 2 (option code I5) or ATEX Intrinsic Safety (option code I1). Contact an Emerson Process Management representative for additional information.

(7) Not available with Output Protocol code X.

(8) Not available with Primary Element Type code P.

(9) Not available with output code F or X. Not available with housing code 01 or 7J.

(10) Instrument valves not included in Traceability Certification.

(11) Materials of Construction comply with metallurgical requirements within NACE MR0175/ISO for sour oil field production environments. Environmental limits apply to certain materials. Consult latest standard for details. Selected materials also conform to NACE MR0103 for sour refining environments.

(12) Not available with Housing code 01 or 7J.

(13) Not available with output code F, Housing code 01, option code DA1, or option code QT.

(14) Not available with Housing code 00, 01, 5A, or 7J.

(15) Available with Output Protocol code A and Plantweb housing only.

(16) Requires PlantWeb housing and output code F.

(17) Requires PlantWeb housing and output code A. Includes Hardware Adjustments as standard. Not available with option code QT.

(18) Requires Rosemount Engineering Assistant to configure.

(19) Not available for Output Protocol code F or Housing code 01.

(20) Not available with Housing code 00, 01, 5A, or 7J. Available with Intrinsically Safe approvals only. For FM Intrinsically Safe, Division 2

(option code I5) or FM FISCO Intrinsically Safe (option code IE), install in accordance with Rosemount drawing 03151-1009 to maintain outdoor rating (NEMA 4X and IP66).

Rosemount 3095MFC Compact Orifice Mass Flowmeter

SPECIFICATIONS

Performance

System Reference Accuracy

Percent (%) of mass flow rate

TABLE 11. 3095MFC Compact Orifice Mass Flowmeter

TYPE	BETA	Mass flow (8:1 flow turndown)	Ultra for Flow (10:1 flow turndown)
3095MFCC	0.4	±0.90%	±0.70%
	0.65	±1.30%	±1.15%
3095MFCCP ⁽¹⁾	0.4	±2.50%	±2.45%
	0.65 ⁽⁴⁾		
3095MFCCP ⁽²⁾	0.4	±2.10%	±2.00%
	0.65 ⁽⁴⁾		
3095MFCCP ⁽³⁾	0.4	±1.50%	±1.40%
	0.65 ⁽⁴⁾		

(1) Line sizes ¹/₂-in. (15mm)

(2) Line sizes 1-in. to 1 ¹/₂-in. (25 mm to 40 mm)

(3) Line sizes 2-in. to 12-in. (50 mm to 300 mm)

(4) For 0.65 beta and ReD < 10,000 add an additional ±0.5% to the Discharge Coefficient Uncertainty.

Repeatability

±0.1%

Line Sizes

- ¹/₂-in. (15 mm) – not available for the 3095MFCC
- 1-in. (25 mm) – not available for the 3095MFCC
- 1 ¹/₂-in. (40 mm) – not available for the 3095MFCC
- 2-in. (50 mm)
- 3-in. (80 mm)
- 4-in. (100 mm)
- 5-in. (125 mm)
- 6-in. (150 mm)
- 8-in. (200 mm)
- 10-in. (250 mm)
- 12-in. (300 mm)

Output

Two-wire 4–20 mA, user-selectable for DP, AP, GP, PT, mass flow, or totalized flow. Digital HART protocol superimposed on 4–20 mA signal, available to any host that conforms to the HART protocol.

Performance Statement Assumptions

- Measured pipe I.D
- Electronics are trimmed for optimum flow accuracy

Sizing

Contact an Emerson Process Management representative for assistance. A Configuration Data Sheet is required prior to order for application verification.

Functional

Service

- Liquid
- Gas
- Steam

Power Supply

4–20 mA option

- External power supply required. Standard transmitter (4–20 mA) operates on 11 to 55 v dc with no load

Process Temperature Limits

Direct Mount Transmitter

- 450 °F (232 °C)

Remote Mount Transmitter

- 850 °F (454 °C) – Stainless Steel

Transmitter Temperature Limits

Ambient

- -40 to 185 °F (-40 to 85 °C)
- with integral display: -4 to 175 °F (-20 to 80 °C)

Storage

- -50 to 230 °F (-46 to 110 °C)
- with integral display: -40 to 185 °F (-40 to 85 °C)

Differential Pressure Limits

Maximum differential pressure (DP) up to 800 inH₂O.

Pressure Limits⁽¹⁾

Direct Mount Transmitter

- Pressure retention per ANSI B16.5 600# or DIN PN 100

Overpressure Limits

0 to 2 times the absolute pressure range with a maximum of 3626 psia (250 bar).

Static Pressure Limits

Operates within specification between static pressures of 0.5 psia (0.03 bar-A) and the URL of the static pressure sensor.

Vibration Limits

Qualified per IEC61298-3 (1998) for field with high vibration level or pipeline with high vibration level (10-60Hz 0.21mm displacement peak amplitude / 60 - 500Hz 3g).

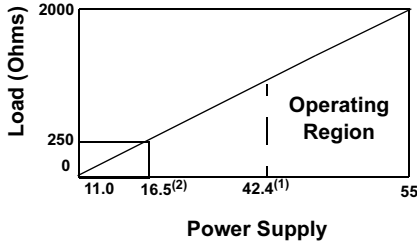
The weight and length of the transmitter assembly shall not exceed 5.8 lbs and 7.75-in.

(1) Static pressure selection may effect pressure limitations.

Load Limitations

Maximum loop resistance is determined by the voltage level of the external power supply, as described by:

$$\text{Maximum Loop Resistance} = \frac{\text{Power Supply} - 11.0}{0.022}$$



- (1) For CSA approval, power supply must not exceed 42.4 V dc.
- (2) HART protocol communication requires a loop resistance value between 250-1100 ohms, inclusive.

FOUNDATION fieldbus (output option code V)

Power Supply

External power supply required; transmitters operate on 9.0 to 32.0 V dc transmitter terminal voltage.

Current Draw

17.5 mA for all configurations (including LCD display option)

Humidity Limits

- 0–100% relative humidity

Turn-On Time

Digital and analog measured variables will be within specification 7 – 10 seconds after power is applied to the transmitter.
 Digital and analog flow output will be within specifications 10 – 14 seconds after power is applied to the transmitter.

Damping

Analog output response to a step input change is user-selectable from 0 to 29 seconds for one time constant. This software damping is in addition to sensor module response time

Failure Mode Alarm

Output Code A

If self-diagnostics detect a non-recoverable transmitter failure, the analog signal will be driven either below 3.75 mA or above 21.75 mA to alert the user. High or low alarm signal is user-selectable by internal jumper pins.

Output Code V

If self-diagnostics detect a gross transmitter failure, that information gets passed as a status along with the process variable(s).

Configuration

HART Hand-held Communicator (Model 275 or 375)

- Performs traditional transmitter maintenance functions

3095 Multivariable Engineering Assistant (EA) software package

- Contains built-in physical property database
- Enables mass flow configuration, maintenance, and diagnostic functions via HART modem (output option code A)

Enables mass flow configuration via PCMCIA Interface for FOUNDATION fieldbus (output option code V)

Physical Properties Database

- Maintained in Engineering Assistant Software Configurator
- Physical properties for over 110 fluids
- Natural gas per AGA
- Steam and water per ASME
- Other database fluids per American Institute of Chemical Engineers (AIChE)
- Optional custom entry

FOUNDATION fieldbus Function Blocks

Standard Function Blocks

Resource Block

- Contains hardware, electronics, and diagnostic information.

Transducer Block

- Contains actual sensor measurement data including the sensor diagnostics and the ability to trim the pressure sensor or recall factory defaults.

LCD Block

- Configures the local display.

5 Analog Input Blocks

- Processes the measurements for input into other function blocks. The output value is in engineering or custom units and contains a status indicating measurement quality.

PID Block with Auto-tune

- Contains all logic to perform PID control in the field including cascade and feedforward. Auto-tune capability allows for superior tuning for optimized control performance.

Advanced Control Function Block Suite (Option Code A01)

Input Selector Block

- Selects between inputs and generates an output using specific selection strategies such as minimum, maximum, midpoint, average, or first "good."

Arithmetic Block

- Provides pre-defined application-based equations including flow with partial density compensation, electronic remote seals, hydrostatic tank gauging, ratio control and others.

Signal Characterizer Block

- Characterizes or approximates any function that defines an input/output relationship by configuring up to twenty X, Y coordinates. The block interpolates an output value for a given input value using the curve defined by the configured coordinates.

Integrator Block

- Compares the integrated or accumulated value from one or two variables to pre-trip and trip limits and generates discrete output signals when the limits are reached. This block is useful for calculating total flow, total mass, or volume over time.

Output Splitter Block

- Splits the output of one PID or other control block so that the PID will control two valves or other actuators.

Control Selector Block

- Selects one of up to three inputs (highest, middle, or lowest) that are normally connected to the outputs of PID or other control function blocks.

Physical

Temperature Measurement ⁽¹⁾

Remote RTD

- 100 Ohm platinum with 1/2-in. NPT nipple and union (078 series with Rosemount 644 housing)
Model 0078D21N00A025T32Ex
Connection Head: 00644-4410-0011
- Standard RTD cable is shielded armored cable, length is 12 feet (3.66 m)
- Remote RTD material is SST

Thermowell

- 1/2-in. x 1/2-in. NPT, 316 SST

NOTE

Remote temperature measurement is not available for 1/2-in., 1-in., and 1 1/2-in. sizes.

Electronic Connections for Remote Mount

- 1/2–14 NPT, G 1/2, and M20 × 1.5 (CM20) conduit. *HART* interface connections fixed to terminal block for output code A

Process-Wetted Parts

Integral Manifolds

- 316 SST
- Hastelloy C-276

Remote Manifolds

- 316 SST
- Hastelloy C-276

Transmitter Vent Valves and Process Flanges

- 316 SST
- Hastelloy C-276
- Glass-filled PTFE O-rings

Process Isolating Diaphragms

- 316L SST
- Hastelloy C-276

Integral Manifold O-Rings

- PTFE/Graphite

Non-Wetted Parts

Sensor Module Fill Fluid

- Silicone oil
- Inert Fill optional

Cover O-rings

- Buna-N

Remote Mounting Brackets

- SST

Electronic Housing

- Low copper aluminum, NEMA 4x, IP65
- SST (optional)

Paint

- Polyurethane

Bolts

- CS

Material of Construction

Body/Plate

- 316 SST
- 50 micro-inch Ra surface finish

Manifold Head/Valves

- 316 SST

Flange Studs and Nuts

- Customer supplied
- Available as a spare part

Transmitter Connection Studs and Nuts

- Studs– A193 Grade B8M.
- Nuts– A194 Grade 8M.

Gasket and O-rings

- Gaskets are customer supplied.
- Durlon 8500 fiber gaskets are recommended. Consult an Emerson Process Management representative for use with other gaskets.
- Available as a spare part

NOTE

Gaskets and O-rings should be replaced when the 405 is disassembled.

Transmitter Connections

Remote Mount

- Available with 1/4-in. (standard) or 1/2-in. (option code E) connections

Orifice Type

- Square edged, Wafer style

Orifice Pressure Taps

- Corner

Process Connections

Mounts between the following flange configurations

ASME B16.5 (ANSI)	DIN	JIS
Class 150	PN16 (option code G)	10k (option code B)
Class 300	PN40 (option code H)	20k (option code R)
Class 600	PN100 (option code H)	40k (option code S)

ANSI alignment ring is included as standard when ordering

Typical Orifice Hole Sizes (For 3095MFCC)

Beta is calculated by: $\beta = d_C / \text{Pipe ID}$, where the calculated bore is equal to 2 x typical orifice hole size ($d_C = 2d$). The table below shows the diameter of each of the four typical orifice holes.

TABLE 12. $\beta = 0.4$ ⁽¹⁾⁽²⁾

Line Size	3051SFCC	3051SFCP
1/2-in. (15 mm)	Not Available	0.249 (6.325)
1-in. (25 mm)	Not Available	0.420 (10.668)
1 1/2-in. (40 mm)	Not Available	0.644 (16.358)
2-in. (50 mm)	0.413 (10.490)	0.827 (21.006)
3-in. (80 mm)	0.614 (15.596)	1.227 (31.166)
4-in. (100 mm)	0.805 (20.447)	1.610 (40.894)
5-in. (125 mm)	1.009 (25.629)	2.019 (51.283)
6-in. (150 mm)	1.213 (30.810)	2.426 (61.620)
8-in. (200 mm)	1.596 (40.538)	3.192 (81.077)
10-in. (250 mm)	2.004 (50.902)	4.008 (101.80)
12-in. (300 mm)	2.400 (60.960)	4.800 (121.92)

TABLE 13. $\beta = 0.65$ ⁽¹⁾⁽²⁾

Line Size	3051SFCC	3051SFCP
1/2-in. (15 mm)	Not Available	0.404 (10.262)
1-in. (25 mm)	Not Available	0.682 (17.323)
1 1/2-in. (40 mm)	Not Available	1.047 (26.594)
2-in. (50 mm)	0.620 (15.748) ⁽³⁾	1.344 (34.138)
3-in. (80 mm)	0.997 (25.324)	1.994 (50.648)
4-in. (100 mm)	1.308 (33.223)	2.617 (66.472)
5-in. (125 mm)	1.640 (40.640)	3.281 (83.34)
6-in. (150 mm)	1.971 (50.063)	3.942 (100.127)
8-in. (200 mm)	2.594 (65.888)	5.188 (131.775)
10-in. (250 mm)	3.257 (82.728)	6.513 (165.43)
12-in. (300 mm)	3.900 (99.060)	7.800 (198.120)

(1) Measurement is in inches (millimeters)

(2) Tolerance = ± 0.002 -in.

(3) Beta (β) = 0.60-in. (15.24 mm) for 2-in. line size only.

3051SFC Weight

Line Size	Direct Mount (D3) ⁽¹⁾⁽²⁾	Remote Mount (R3) ⁽¹⁾
1/2-in. (15 mm)	10.7 (4.58)	7.5 (3.70)
1-in. (25 mm)	11.45 (5.19)	8.25 (4.07)
1 1/2-in. (40 mm)	11.95 (5.42)	8.75 (4.32)
2-in. (50 mm)	12.20 (5.53)	9.00 (4.44)
3-in. (80 mm)	14.20 (6.44)	11.00 (5.43)
4-in. (100 mm)	16.70 (7.57)	13.50 (6.67)
5-in. (125 mm)	18.45 (8.37)	15.25 (7.53)
6-in. (150 mm)	20.20 (9.16)	17.00 (8.40)
8-in. (200 mm)	25.45 (11.54)	22.25 (10.99)
10-in. (250 mm)	30.70 (13.92)	27.50 (13.58)
12-in. (300 mm)	36.70 (16.64)	33.50 (16.54)

(1) Measurement in lb (kg).

(2) Includes 3051S Coplanar PlantWeb housing transmitter.

3095MFC Weight

Line Size	Direct Mount (D3) ⁽¹⁾⁽²⁾	Remote Mount (R3) ⁽¹⁾
1/2-in. (15 mm)	9.50 (4.69)	6.3 (3.11)
1-in. (25 mm)	10.25 (5.06)	7.05 (3.48)
1 1/2-in. (40 mm)	10.75 (5.31)	7.55 (3.73)
2-in. (50 mm)	11.00 (5.43)	7.80 (3.85)
3-in. (80 mm)	13.00 (6.42)	9.80 (4.84)
4-in. (100 mm)	15.50 (7.65)	12.30 (6.07)
5-in. (125 mm)	17.25 (8.52)	14.05 (6.94)
6-in. (150 mm)	19.00 (9.38)	15.80 (7.80)
8-in. (200 mm)	24.25 (11.98)	21.05 (10.40)
10-in. (250 mm)	29.50 (14.57)	26.30 (12.9)
12-in. (300 mm)	35.50 (17.53)	32.30 (15.95)

(1) Measurement in lb (kg).

(2) Includes 3095 MultiVariable transmitter.

405 Weight

Line Size	Direct Mount (D3) ⁽¹⁾⁽²⁾	Remote Mount (R3) ⁽¹⁾
1/2-in. (15 mm)	3.50 (1.73)	7.5 (3.70)
1-in. (25 mm)	4.25 (2.10)	8.25 (4.07)
1 1/2-in. (40 mm)	4.75 (2.34)	8.75 (4.32)
2-in. (50 mm)	5.00 (2.47)	9.00 (4.44)
3-in. (80 mm)	7.00 (3.45)	11.00 (5.43)
4-in. (100 mm)	9.50 (4.69)	13.50 (6.67)
5-in. (125 mm)	11.25 (5.55)	15.25 (7.53)
6-in. (150 mm)	13.00 (6.41)	17.00 (8.40)
8-in. (200 mm)	18.25 (9.00)	22.25 (10.99)
10-in. (250 mm)	23.50 (11.59)	27.50 (13.58)
12-in. (300 mm)	29.50 (14.55)	33.50 (16.54)

(1) Measurement in lb (kg).

(2) Includes 405 Direct Mount option D3.

Rosemount Compact Orifice Flowmeter Series

Product Data Sheet
00813-0100-4810, Rev HA
Catalog 2008 - 2009

Installation Considerations

Straight Run Requirements

TABLE 14. 3095MFCC Straight Pipe Requirements⁽¹⁾

	Beta	0.40		0.65	
Upstream (inlet) side of primary	Reducer (1 line size)	2	2		
	Single 90° bend or tee	2	2		
	Two or more 90° bends in the same plane	2	2		
	Two or more 90° bends in different plane	2	2		
	Up to 10° of swirl	2	2		
	Butterfly valve (75% to 100% open)	2		N/A	
Downstream (outlet) side of primary		2	2		

TABLE 15. 3095MFCCP Straight Pipe Requirements⁽¹⁾⁽²⁾⁽³⁾

	Beta	0.40		0.65	
Upstream (inlet) side of primary	Reducer	5	12		
	Single 90° bend or tee	16	44		
	Two or more 90° bends in the same plane	10	44		
	Two or more 90° bends in different plane	50	60		
	Expander	12	28		
	Ball / Gate valve fully open	12	18		
Downstream (outlet) side of primary		6	7		

(1) Consult an Emerson Process Management representative if disturbance is not listed.

(2) Recommended lengths represented in pipe diameters per ISO 5167.

(3) Refer to ISO 5167 for recommended lengths when using flow straighteners.

Pipe Orientation

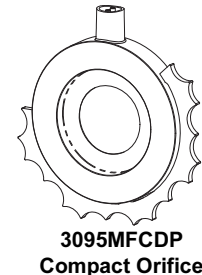
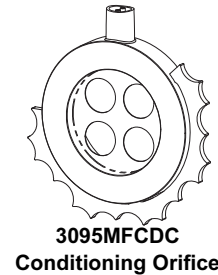
Pipe orientation for both 3095MFCC Compact Conditioning Mass Orifice and standard 3095MFCCP Compact Mass Orifice.

Orientation/ Flow Direction	Process ⁽¹⁾		
	Gas	Liquid	Steam
Horizontal	D/R	D/R	D/R
Vertical Up	R	D/R	R
Vertical Down	D/R	NR	NR

(1) D = Direct mount acceptable (recommended)
R = Remote mount acceptable
NR = Not recommended

Pipe Centering

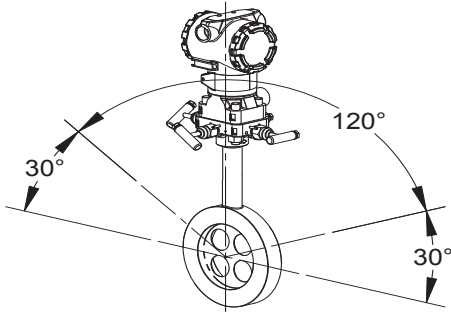
Improper centering of any orifice type device can cause an error of up to ±5% in small line sizes. A centering mechanism (centering ring) independent of flange rating comes standard with the 405 Compact Orifice Series.



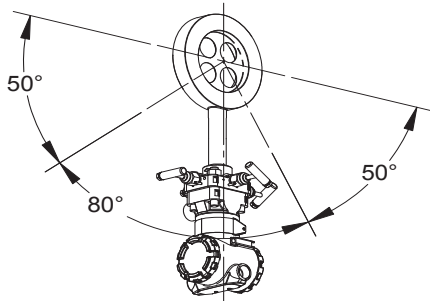
Flowmeter Orientation

Flowmeter orientation for both 3095MFC Conditioning Compact Orifice and standard Compact Orifice.

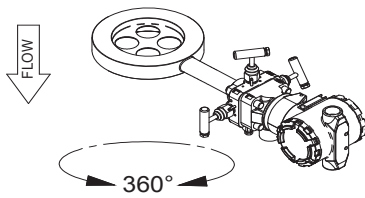
Gas (Horizontal)



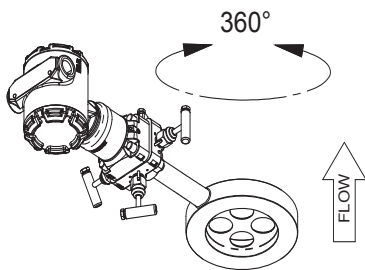
Liquid and Steam (Horizontal)



Gas (Vertical)



Liquid (Vertical)



PRODUCT CERTIFICATIONS

Rosemount 3095 with HART

European Directive Information

The EC declaration of conformity for all applicable European directives for this product can be found on the Rosemount website at www.rosemount.com. A hard copy may be obtained by contacting our local sales office.

ATEX Directive (94/9/EC)

Emerson Process Management complies with the ATEX Directive.

European Pressure Equipment Directive (PED) (97/23/EC)

3095M_2/3,4/D Flow Transmitters — QS Certificate of Assessment - EC No. PED-H-20
Module H Conformity Assessment

All other 3095_ Transmitters/Level Controller —
Sound Engineering Practice

Transmitter Attachments: Process Flange - Manifold —
Sound Engineering Practice

Electro Magnetic Compatibility (EMC) (89/336/EEC)

3095MV Flow Transmitters
— EN 50081-1: 1992; EN 50082-2:1995;
EN 61326-1:1997 – Industrial

Ordinary Location Certification for Factory Mutual

As standard, the transmitter has been examined and tested to determine that the design meets basic electrical, mechanical, and fire protection requirements by FM, a nationally recognized testing laboratory (NRTL) as accredited by the Federal Occupational Safety and Health Administration (OSHA).

Hazardous Locations Certifications

North American Certifications

FM Approvals

- E5 Explosion Proof for Class I, Division 1, Groups B, C, and D. Dust-Ignition Proof for Class II/Class III, Division 1, Groups E, F, and G. Enclosure type NEMA 4X. Factory Sealed. Provides nonincendive RTD connections for Class I, Division 2, Groups A, B, C, and D.
- I5 Intrinsically Safe for use in Class I, II and III, Division 1, Groups A, B, C, D, E, F, and G hazardous outdoor locations. Non-incendive for Class I, Division 2, Groups A, B, C, and D. Temperature Code T4. Factory Sealed.
- For input parameters and installation see control drawing 03095-1020.

Canadian Standards Association (CSA)

- E6 Explosion Proof for Class I, Division 1, Groups B, C, and D. Dust-Ignition Proof for Class II/Class III, Division 1, Groups E, F, and G. CSA enclosure Type 4X suitable for indoor and outdoor hazardous locations. Provides nonincendive RTD connection for Class I, Division 2, Groups A, B, C, and D. Factory Sealed. Install in accordance with Rosemount Drawing 03095-1024. Approved for Class I, Division 2, Groups A, B, C, and D.
- I6 Intrinsically Safe for Class I, Division 1, Groups A, B, C, and D. when installed in accordance with Rosemount drawing 03095-1021. Temperature Code T3C.
- For input parameters and installation see control drawing 03095-1021.

European Certifications


- I1 ATEX Intrinsic Safety
Certificate Number: BAS98ATEX1359X  II 1 G
EEx ia IIC T5 ($T_{amb} = -45\text{ °C}$ to 40 °C)
EEx ia IIC T4 ($T_{amb} = -45\text{ °C}$ to 70 °C)
CE 1180

TABLE 16. Connection Parameters (Power/Signal Terminals)

$U_i = 30\text{ V}$
$I_i = 200\text{ mA}$
$P_i = 1.0\text{ W}$
$C_i = 0.012\text{ }\mu\text{F}$
$L_i = 0$

TABLE 17. Temperature Sensor Connection Parameters


$U_o = 30\text{ V}$
$I_o = 19\text{ mA}$
$P_o = 140\text{ mW}$
$C_i = 0.002\text{ }\mu\text{F}$
$L_i = 0$

TABLE 18. Temp Sensor Terminals Connection Parameters

$C_o = 0.066\text{ }\mu\text{F}$	Gas Group IIC
$C_o = 0.560\text{ }\mu\text{F}$	Gas Group IIB
$C_o = 1.82\text{ }\mu\text{F}$	Gas Group IIA
$L_o = 96\text{ mH}$	Gas Group IIC
$L_o = 365\text{ mH}$	Gas Group IIB
$L_o = 696\text{ mH}$	Gas Group IIA
$L_o/R_o = 247\text{ }\mu\text{H}/\text{ohm}$	Gas Group IIC
$L_o/R_o = 633\text{ }\mu\text{H}/\text{ohm}$	Gas Group IIB
$L_o/R_o = 633\text{ }\mu\text{H}/\text{ohm}$	Gas Group IIA

Special Conditions for Safe Use

The 3095, when fitted with the transient terminal block (order code B), are not capable of withstanding the 500 volts insulation test required by EN50 020, Clause 6.4.12 (1994). This condition must be accounted for during installation.


- N1 ATEX Type N
Certificate Number: BAS98ATEX3360X  II 3 G
EEx nL IIC T5 ($T_{amb} = -45\text{ °C}$ to 40 °C)
EEx nL IIC T4 ($T_{amb} = -45\text{ °C}$ to 70 °C)
 $U_i = 55\text{ V}$

CE

The apparatus is designed for connection to a remote temperature sensor such as a resistance temperature detection (RTD)


Special Conditions for Safe Use

The 3095, when fitted with the transient terminal block (order code B), are not capable of withstanding the 500 volts insulation test required by EN50 021, Clause 9.1 (1995). This condition must be accounted for during installation.

- E1 ATEX Flameproof
Certificate Number: KEMA02ATEX2320X  II 1/2 G
EEx d IIC T5 (-50°C ≤ T_{amb} ≤ 80°C)
T6 (-50°C ≤ T_{amb} ≤ 65°C)
CE 1180

Special Conditions for Safe Use (x):

The device contains a thin wall diaphragm. Installation, maintenance, and use shall take into account the environmental conditions to which the diaphragm will be subjected. The manufacturer's instructions for installation and maintenance shall be followed in detail to assure safety during its expected lifetime.

- ND ATEX Dust
Certificate Number: KEMA02ATEX2321  II 1 D
V = 55 Vdc MAX
I = 23 mA MAX
IP66
CE 1180

Combinations of Certifications

Stainless steel certification tag is provided when optional approval is specified. Once a device labeled with multiple approval types is installed, it should not be reinstalled using any other approval types. Permanently mark the approval label to distinguish it from unused approval types.

- K5 E5 and I5 combination
K6 E6 and I6 combination
K1 I1, N1, E1, and ND combination

Rosemount 3095 with *Fieldbus*

European Directive Information

The EC declaration of conformity for all applicable European directives for this product can be found on the Rosemount website at www.rosemount.com. A hard copy may be obtained by contacting our local sales office.

ATEX Directive (94/9/EC)

Emerson Process Management complies with the ATEX Directive.

European Pressure Equipment Directive (PED) (97/23/EC)

3095F_2/3,4/D and 3095M_2/3,4/D Flow Transmitters
— QS Certificate of Assessment - EC No. PED-H-20
Module H Conformity Assessment
All other 3095_ Transmitters/Level Controller
— Sound Engineering Practice
Transmitter Attachments: Process Flange - Manifold
— Sound Engineering Practice
Primary Elements, Flowmeter
— See appropriate Primary Element QIG

Electro Magnetic Compatibility (EMC) (89/336/EEC)

3095 Flow Transmitters

— EN 50081-1: 1992; EN 50082-2:1995; EN 61326-1:1997 – Industrial

Ordinary Location Certification for Factory Mutual

As standard, the transmitter has been examined and tested to determine that the design meets basic electrical, mechanical, and fire protection requirements by FM, a nationally recognized testing laboratory (NRTL) as accredited by the Federal Occupational Safety and Health Administration (OSHA).

Rosemount 3095 Fieldbus Hazardous Locations Certifications

North American Certifications

FM Approvals

- E5 Explosion Proof for Class I, Division 1, Groups B, C, and D. Dust-Ignition Proof for Class II/Class III, Division 1, Groups E, F, and G. Enclosure type NEMA 4X. Factory Sealed. Provides nonincendive RTD connections for Class I, Division 2, Groups A, B, C, and D.
- I5 Intrinsically Safe for use in Class I, II and III, Division 1, Groups A, B, C, D, E, F, and G hazardous outdoor locations. Non-incendive for Class I, Division 2, Groups A, B, C, and D. Temperature Code T4. Factory Sealed.

For input parameters and installation see control drawing 03095-1020.

- IE FISCO for use in Class I, II and III, Division 1, Groups A, B, C, D, E, F, and G hazardous outdoor locations. Temperature Code T4. Factory Sealed.

For input parameters and installation see control drawing 03095-1020.

Combinations of Certifications

Stainless steel certification tag is provided when optional approval is specified. Once a device labeled with multiple approval types is installed, it should not be reinstalled using any other approval types. Permanently mark the approval label to distinguish it from unused approval types.

- K5 E5 and I5 combination

Canadian Standards Association (CSA)

- IF CSA FISCO Intrinsically Safe; for FOUNDATION fieldbus protocol only

European Certifications

- IA ATEX FISCO Intrinsically Safe; for FOUNDATION fieldbus protocol only

Australian Certifications

- IG IECEx FISCO Intrinsic Safety

Rosemount Compact Orifice Flowmeter Series

Product Data Sheet
00813-0100-4810, Rev HA
Catalog 2008 - 2009

DIMENSIONAL DRAWINGS

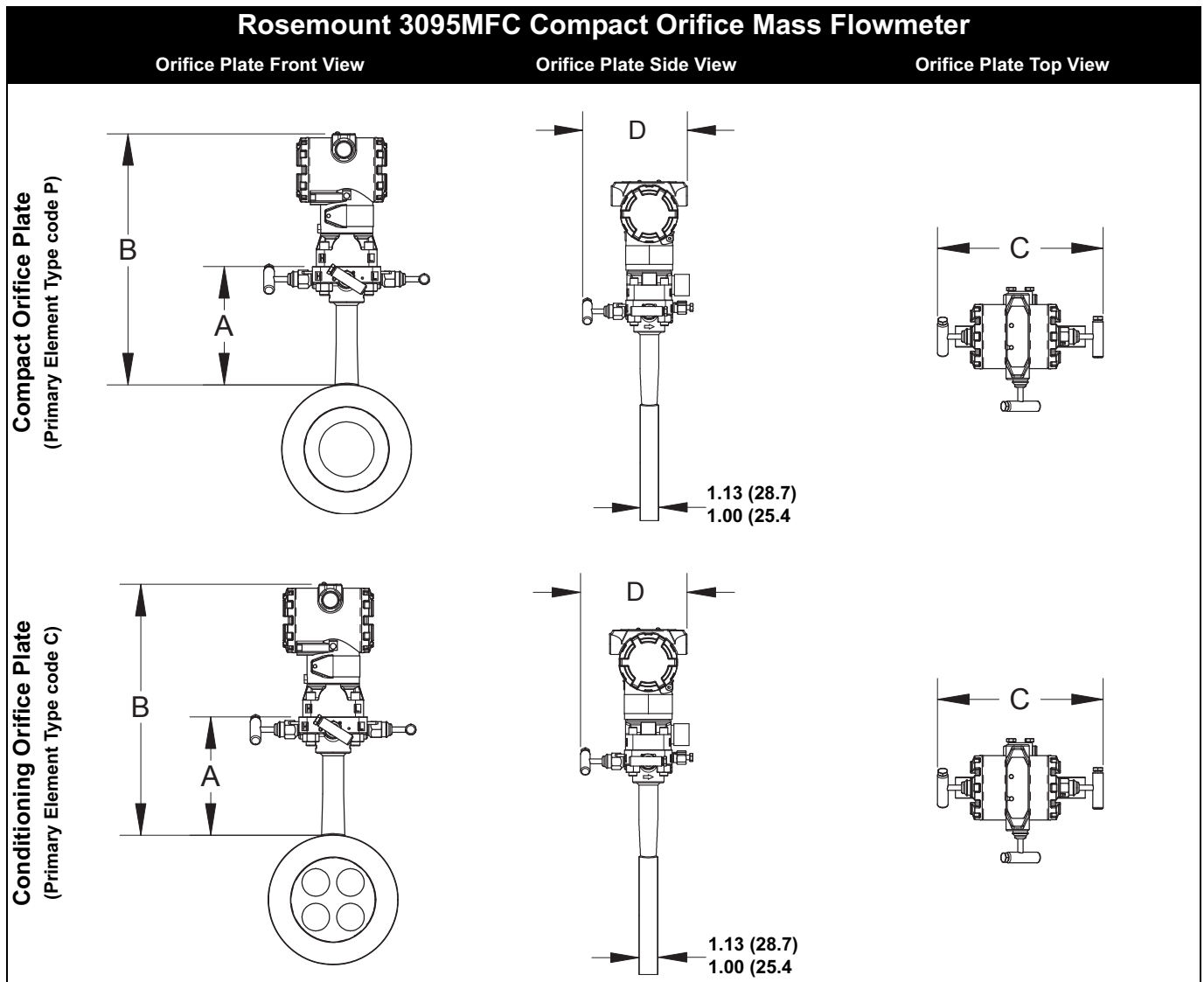


TABLE 19. Dimensional Drawings⁽¹⁾

Plate Type	A	B	Transmitter Height	C	D
Type P & C	5.50 (140)	Transmitter Height + A	6.25 (159)	7.75 (197) - closed 8.25 (210) - open	6.0 (152) - closed 6.25 (159) - open

⁽¹⁾ Measurement is in inches (millimeters).

ORDERING INFORMATION

Rosemount 3095MFC Compact Orifice Mass Flowmeter Ordering Information

Model	Product Description	
3095MFC	Compact Orifice Mass Flowmeter	
Code	Primary Element Type	
C	Conditioning Orifice Plate	
P	Orifice Plate	
Code	Material Type	
S	316 Stainless Steel (SST)	
H ⁽¹⁾	Hastelloy	
Code	Line Size	
005 ⁽²⁾	1/2-in. (15 mm)	
010 ⁽²⁾	1-in. (25 mm)	
015 ⁽²⁾	1 1/2-in. (40 mm)	
020	2-in. (50 mm)	
030	3-in. (80 mm)	
040	4-in. (100 mm)	
050 ⁽¹⁾	5-in. (125 mm)	
060	6-in. (150 mm)	
080	8-in. (200 mm)	
100 ⁽¹⁾	10-in. (250 mm)	
120 ⁽¹⁾	12-in. (300 mm)	
Code	Primary Element Style	
N	Square Edged	
Code	Beta Ratio	
040	0.40 Beta Ratio (β)	
065 ⁽³⁾	0.65 Beta Ratio (β)	
Code	Temperature Measurement	
R	Remote Thermowell and RTD	
T ⁽¹⁾	Integral RTD and Thermowell	
0	No Temperature Sensor	
Code	Transmitter Connection Platform	
3	Direct-mount, 3-valve integral manifold, SST	
7	Remote-mount, 1/4-in. NPT connections	
Code	Differential Pressure Range	
1	0 to 25 in H ₂ O (0 to 62.2 mbar)	
2	0 to 250 in H ₂ O (0 to 623 mbar)	
3	0 to 1000 in H ₂ O (0 to 2.5 bar)	
Code	Static Pressure Range	
B	0 – 8 to 0 – 800 psia (0 –55.16 to 0 – 5515.8 kPa)	
C	0 – 8 to 0 – 800 psig (0 –55.16 to 0 – 5515.8 kPa)	
D	0 – 36.2 to 0 – 3626 psia (0 –250 to 0 – 25000 kPa)	
E	0 – 36.2 to 0 – 3626 psig (0 –250 to 0 – 25000 kPa)	
Code	Output Protocol	
A	4–20 mA with digital signal based on HART protocol	
V	FOUNDATION fieldbus protocol	
Code	Transmitter Housing Style	Conduit Entry Size
1A	Polyurethane-covered aluminum	1/2-14 NPT
1B	Polyurethane-covered aluminum	M20 x 1.5 (CM20)
1C	Polyurethane-covered aluminum	PG 13.5
1J	SST	1/2-14 NPT
1K	SST	M20 x 1.5 (CM20)
1L	SST	PG 13.5

Rosemount Compact Orifice Flowmeter Series

Product Data Sheet
00813-0100-4810, Rev HA
Catalog 2008 - 2009

Rosemount 3095MFC Compact Orifice Mass Flowmeter Ordering Information

Code	Options
Performance Class	
U3 ⁽⁴⁾	Ultra for Flow: up to $\pm 0.70\%$ mass flow rate accuracy, up to 10:1 turndown, 10-year stability, limited 12-year warranty
PlantWeb Control Functionality	
A01 ⁽⁵⁾	Advanced Control Function Block Suite
Installation Accessories	
G	DIN Alignment Ring (PN 16)
H	DIN Alignment Ring (PN 40, PN 100)
B	JIS Alignment Ring 10K
R	JIS Alignment Ring 20K
S	JIS Alignment Ring 40K
Remote Adapters	
E	Flange adapters 316 SST (¹ / ₂ -in. NPT)
High Temperature Applications	
T	Graphite valve packing (Tmax = 850 °F)
Flow Calibration	
WC ⁽⁶⁾	Discharge coefficient verification (3 point)
WD ⁽⁶⁾	Discharge coefficient verification (10 point)
Pressure Testing	
P1	Hydrostatic Testing with certificate
Special Cleaning	
P2	Cleaning for special processes
PA	Cleaning per ASTM G93 Level D (section 11.4)
Special Inspection	
QC1	Visual and dimensional inspection with certificate
QC7	Inspection and performance certificate
Transmitter Calibration Certification	
Q4	Calibration data certificate for transmitter
Material Traceability Certification	
Q8 ⁽⁷⁾	Material certification per ISO 10474 3.1.B and EN 10204 3.1.B
Code Conformance	
J2	ANSI B31.1
J3	ANSI B31.3
J4	ANSI B31.8
Material Conformance	
J5 ⁽⁸⁾⁽⁹⁾	NACE MR-0175 / ISO 15156
Country Certification	
J1	Canadian Registration
Product Certifications	
E1	ATEX Flameproof
I1	ATEX Intrinsic Safety
N1	ATEX Type n
K1	ATEX Flameproof, Intrinsic Safety, Type n, Dust (combination of E1, I1, N1, and ND)
ND	ATEX Dust
E5	FM Explosion-proof, Dust Ignition-proof
I5	FM Intrinsically Safe, Division 2
K5	FM Explosion-proof, Dust Ignition-proof, Intrinsically Safe, Division 2 (combination of E5 and I5)
E6	CSA Explosion-proof, Dust Ignition-proof, Division 2
I6	CSA Intrinsically Safe, Division 2
K6	CSA Explosion-proof, Intrinsically Safe, Division 2 (combination of E6 and I6)
IE ⁽¹⁾	FM FISCO Intrinsically Safe; for FOUNDATION fieldbus protocol only
IF ⁽¹⁾	CSA FISCO Intrinsically Safe; for FOUNDATION fieldbus protocol only
IA ⁽¹⁾	ATEX FISCO Intrinsically Safe; for FOUNDATION fieldbus protocol only
IG ⁽¹⁾	IECEx FISCO Intrinsic Safety
I7	IECEx Intrinsic Safety
E4	TIIS Flameproof
ID	TIIS FISCO Intrinsically Safe; for FOUNDATION fieldbus protocol only

Rosemount 3095MFC Compact Orifice Mass Flowmeter Ordering Information

I3 China Intrinsic Safety

E3 China Flameproof

Alternative Transmitter Material of Construction

L1⁽⁹⁾ Inert Sensor Fill Fluid

Display

M5 Integral mount LCD display

Terminal Blocks

T1 Transient Protection

Manifold for Remote Mount Option

F2 3-Valve Manifold, SST

F6 5-Valve Manifold, SST

Typical Model Number: 3051MFC C S 040 N 040 0 3 B A 1A

- (1) Consult factory for availability.
- (2) Not available for Primary Element Type code C.
- (3) For 2-in. (50.8 mm) line sizes the Beta Ratio is 0.6 for Primary Element Type code C.
- (4) Ultra for Flow applicable for HART protocol, DP ranges 2 and 3 with SST isolator material and silicone fill fluid options only.
- (5) Function Blocks include: Arithmetic, Integrator, Analog Output, Signal Characterizer, Control Selector, and Output Selector.
- (6) Not available with Primary Element Type code P.
- (7) Instrument valves not included in Traceability Certification.
- (8) Materials of Construction comply with metallurgical requirements within NACE MR0175/ISO 15156 for sour oil field production environments. Environmental limits apply to certain materials. Consult latest standard for details. Selected materials also conform to NACE MR0103 for sour refining environments.
- (9) Not available with DP range 1.

Rosemount 405 Compact Orifice Primary Element

SPECIFICATIONS

Performance

Discharge Coefficient Uncertainty

TABLE 20. 405 Compact Orifice Primary Element

Type	Beta	Discharge Coefficient Uncertainty
405C	0.4	±0.50%
(Conditioning Compact)	0.65	±1.00%
405P ⁽¹⁾⁽²⁾	0.4	±1.75%
(Standard Compact)	0.65	±1.75%
405P ⁽³⁾	0.4	±1.25%
(Standard Compact)	0.65	±1.25%

(1) Line sizes $1/2$ to $1\frac{1}{2}$ -in. (12.7 to 38.1 mm).

(2) Discharge Coefficient Uncertainty for $1/2$ -in. units with Beta = 0.65 is ±2.25%.

(3) Line sizes 2 to 12-in. (50 mm to 300 mm)

Line Sizes

- $1/2$ -in. (15 mm) – not available for the 405C
- 1-in. (25 mm) – not available for the 405C
- $1\frac{1}{2}$ -in. (40 mm) – not available for the 405C
- 2-in. (50 mm)
- 3-in. (80 mm)
- 4-in. (100 mm)
- 5-in. (125 mm)
- 6-in. (150 mm)
- 8-in. (200 mm)
- 10-in. (250 mm)
- 12-in. (300 mm)

Sizing

Contact an Emerson Process Management sales representative assistance. A "Configuration Data Sheet" is required prior to order for application verification.

Functional

Service

- Liquid
- Gas
- Vapor

Operating Process Temperature Limits

Standard (direct/remote mount):

- -40 to 450 °F (-40 to 232 °C)

Extended (remote mount only with option code T):

- -148 to 850 °F (-100 to 454 °C)

Differential Pressure Limits

Maximum differential pressure (DP) up to 800 inH₂O.

Maximum Working Pressure

- Pressure retention per ANSI B16.5 600# or DIN PN100

Vibration Limits

Qualified per IEC61298-3 (1998) for field with high vibration level or pipeline with high vibration level (10-60Hz 0.21mm displacement peak amplitude / 60 - 500Hz 3g).

The weight and length of the transmitter assembly shall not exceed 5.8 lbs and 7.75-in.

Assembly to a transmitter

Select option code C11 for the Rosemount 3051S transmitter (or option code S3 for the Rosemount 3051C or 3095MV transmitters) to factory assemble the Rosemount 405 to a Rosemount pressure transmitter. If the 405 and transmitter are not factory assembled, they may be shipped separately. For a consolidated shipment, inform the Emerson Process Management representative when placing the order.

Physical

Material of Construction

Body/Plate

- 316 SST
- 50 micro-inch Ra surface finish

Manifold Head/Valves

- 316 SST

Flange Studs and Nuts

- Customer supplied
- Available as a spare part

Transmitter Connection Studs and Nuts

- Studs– A193 Grade B8M.
- Nuts– A194 Grade 8M.

Gasket and O-rings

- Gaskets are customer supplied.
- Durlon 8500 fiber gaskets are recommended. Consult an Emerson Process Management representative for use with other gaskets.
- Available as a spare part

NOTE

Gaskets and O-rings should be replaced when the 405 is disassembled.

Transmitter Connections

Direct Mount

- Integrally mount to 3051 and 3095 transmitters, range 1, 2, and 3.

Remote Mount

- Available with $1/4$ -in. (standard) or $1/2$ -in. (option code E) connections

Orifice Type

- Square edged, Wafer style

Orifice Pressure Taps

- Corner

Process Connections

Mounts between the following flange configurations:

ASME B16.5		
(ANSI)	DIN	JIS
Class 150	PN16 (option code G)	10k (option code B)
Class 300	PN40 (option code H)	20k (option code R)
Class 600	PN100 (option code H)	40k (option code S)

ANSI alignment ring is included as standard when ordering.

Typical Orifice Hole Sizes (For 405C)

Beta is calculated by: $\beta = d_C / \text{Pipe ID}$, where the calculated bore is equal to 2 x typical orifice hole size ($d_C = 2d$). The table below shows the diameter of each of the four typical orifice holes.

TABLE 21. $\beta = 0.4$ ⁽¹⁾⁽²⁾

Line Size	3051SFCC	3051SFCP
1/2-in. (15 mm)	Not Available	0.249 (6.325)
1-in. (25 mm)	Not Available	0.420 (10.668)
1 1/2-in. (40 mm)	Not Available	0.644 (16.358)
2-in. (50 mm)	0.413 (10.490)	0.827 (21.006)
3-in. (80 mm)	0.614 (15.596)	1.227 (31.166)
4-in. (100 mm)	0.805 (20.447)	1.610 (40.894)
5-in. (125 mm)	1.009 (25.629)	2.019 (51.283)
6-in. (150 mm)	1.213 (30.810)	2.426 (61.620)
8-in. (200 mm)	1.596 (40.538)	3.192 (81.077)
10-in. (250 mm)	2.004 (50.902)	4.008 (101.80)
12-in. (300 mm)	2.400 (60.960)	4.800 (121.92)

TABLE 22. $\beta = 0.65$ ⁽¹⁾⁽²⁾

Line Size	3051SFCC	3051SFCP
1/2-in. (15 mm)	Not Available	0.404 (10.262)
1-in. (25 mm)	Not Available	0.682 (17.323)
1 1/2-in. (40 mm)	Not Available	1.047 (26.594)
2-in. (50 mm)	0.620 (15.748) ⁽³⁾	1.344 (34.138)
3-in. (80 mm)	0.997 (25.324)	1.994 (50.648)
4-in. (100 mm)	1.308 (33.223)	2.617 (66.472)
5-in. (125 mm)	1.640 (40.640)	3.281 (83.34)
6-in. (150 mm)	1.971 (50.063)	3.942 (100.127)
8-in. (200 mm)	2.594 (65.888)	5.188 (131.775)
10-in. (250 mm)	3.257 (82.728)	6.513 (165.43)
12-in. (300 mm)	3.900 (99.060)	7.800 (198.120)

(1) Measurement is in inches (millimeters)

(2) Tolerance = ± 0.002 -in.

(3) Beta (β) = 0.60-in. (15.24 mm) for 2-in. line size only.

3051SFC Weight

Line Size	Direct Mount (D3) ⁽¹⁾⁽²⁾	Remote Mount (R3) ⁽¹⁾
1/2-in. (15 mm)	10.7 (4.58)	7.5 (3.70)
1-in. (25 mm)	11.45 (5.19)	8.25 (4.07)
1 1/2-in. (40 mm)	11.95 (5.42)	8.75 (4.32)
2-in. (50 mm)	12.20 (5.53)	9.00 (4.44)
3-in. (80 mm)	14.20 (6.44)	11.00 (5.43)
4-in. (100 mm)	16.70 (7.57)	13.50 (6.67)
5-in. (125 mm)	18.45 (8.37)	15.25 (7.53)
6-in. (150 mm)	20.20 (9.16)	17.00 (8.40)
8-in. (200 mm)	25.45 (11.54)	22.25 (10.99)
10-in. (250 mm)	30.70 (13.92)	27.50 (13.58)
12-in. (300 mm)	36.70 (16.64)	33.50 (16.54)

(1) Measurement in lb (kg).

(2) Includes 3051S Coplanar PlantWeb housing transmitter.

3095MFC Weight

Line Size	Direct Mount (D3) ⁽¹⁾⁽²⁾	Remote Mount (R3) ⁽¹⁾
1/2-in. (15 mm)	9.50 (4.69)	6.3 (3.11)
1-in. (25 mm)	10.25 (5.06)	7.05 (3.48)
1 1/2-in. (40 mm)	10.75 (5.31)	7.55 (3.73)
2-in. (50 mm)	11.00 (5.43)	7.80 (3.85)
3-in. (80 mm)	13.00 (6.42)	9.80 (4.84)
4-in. (100 mm)	15.50 (7.65)	12.30 (6.07)
5-in. (125 mm)	17.25 (8.52)	14.05 (6.94)
6-in. (150 mm)	19.00 (9.38)	15.80 (7.80)
8-in. (200 mm)	24.25 (11.98)	21.05 (10.40)
10-in. (250 mm)	29.50 (14.57)	26.30 (12.9)
12-in. (300 mm)	35.50 (17.53)	32.30 (15.95)

(1) Measurement in lb (kg).

(2) Includes 3095 MultiVariable transmitter.

405 Weight

Line Size	Direct Mount (D3) ⁽¹⁾⁽²⁾	Remote Mount (R3) ⁽¹⁾
1/2-in. (15 mm)	3.50 (1.73)	7.5 (3.70)
1-in. (25 mm)	4.25 (2.10)	8.25 (4.07)
1 1/2-in. (40 mm)	4.75 (2.34)	8.75 (4.32)
2-in. (50 mm)	5.00 (2.47)	9.00 (4.44)
3-in. (80 mm)	7.00 (3.45)	11.00 (5.43)
4-in. (100 mm)	9.50 (4.69)	13.50 (6.67)
5-in. (125 mm)	11.25 (5.55)	15.25 (7.53)
6-in. (150 mm)	13.00 (6.41)	17.00 (8.40)
8-in. (200 mm)	18.25 (9.00)	22.25 (10.99)
10-in. (250 mm)	23.50 (11.59)	27.50 (13.58)
12-in. (300 mm)	29.50 (14.55)	33.50 (16.54)

(1) Measurement in lb (kg).

(2) Includes 405 Direct Mount option D3.

Installation Consideration

Straight Pipe Requirement

Use the appropriate lengths of straight pipe upstream and downstream of the 405 to minimize the effects of moderate flow disturbances in the pipe. Table 23 and Table 24 lists recommended lengths of straight pipe per ISO 5167.

TABLE 23. 405C Straight Pipe Requirements⁽¹⁾

	Beta	0.40		0.65	
Upstream (inlet) side of primary	Reducer (1 line size)	2	2	2	2
	Single 90° bend or tee	2	2	2	2
	Two or more 90° bends in the same plane	2	2	2	2
	Two or more 90° bends in different plane	2	2	2	2
	Up to 10° of swirl	2	2	2	2
	Butterfly valve (75% to 100% open)	2		N/A	
Downstream (outlet) side of primary		2	2	2	2

TABLE 24. 405P Straight Pipe Requirements⁽¹⁾⁽²⁾⁽³⁾

	Beta	0.40		0.65	
Upstream (inlet) side of primary	Reducer	5	12	5	12
	Single 90° bend or tee	16	44	16	44
	Two or more 90° bends in the same plane	10	44	10	44
	Two or more 90° bends in different plane	50	60	50	60
	Expander	12	28	12	28
	Ball / Gate valve fully open	12	18	12	18
Downstream (outlet) side of primary		6	7	6	7

- (1) Consult an Emerson Process Management representative if disturbance is not listed.
- (2) Recommended lengths represented in pipe diameters per ISO 5167.
- (3) Refer to ISO 5167 for recommended lengths when using flow straighteners.

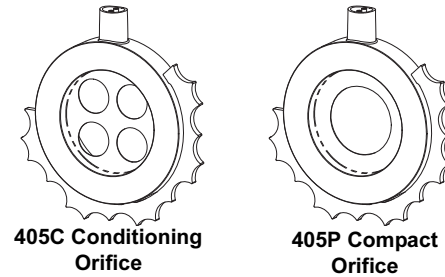
Pipe Orientation

Orientation/ Flow Direction	Process ⁽¹⁾		
	Gas	Liquid	Steam
Horizontal	D/R	D/R	D/R
Vertical Up	R	D/R	R
Vertical Down	D/R	NR	NR

- (1) D = Direct mount acceptable (recommended)
R = Remote mount acceptable
NR = Not recommended

Pipe Centering

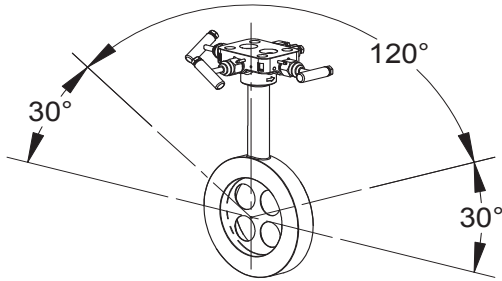
Improper centering of any orifice type device can cause an error of up to ±5% in small line sizes. A centering mechanism (centering ring) independent of flange rating comes standard with the 405 Compact Orifice Series.



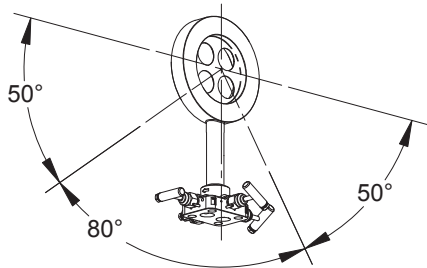
Flowmeter Orientation

Flowmeter orientation for the Conditioning Compact Orifice and standard Compact Orifice.

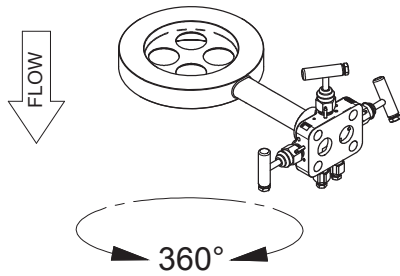
Gas (Horizontal)



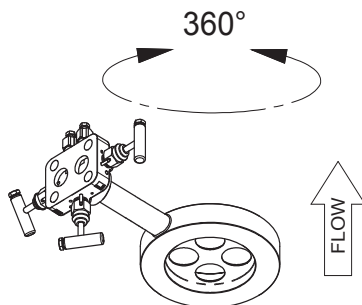
Liquid and Steam (Horizontal)



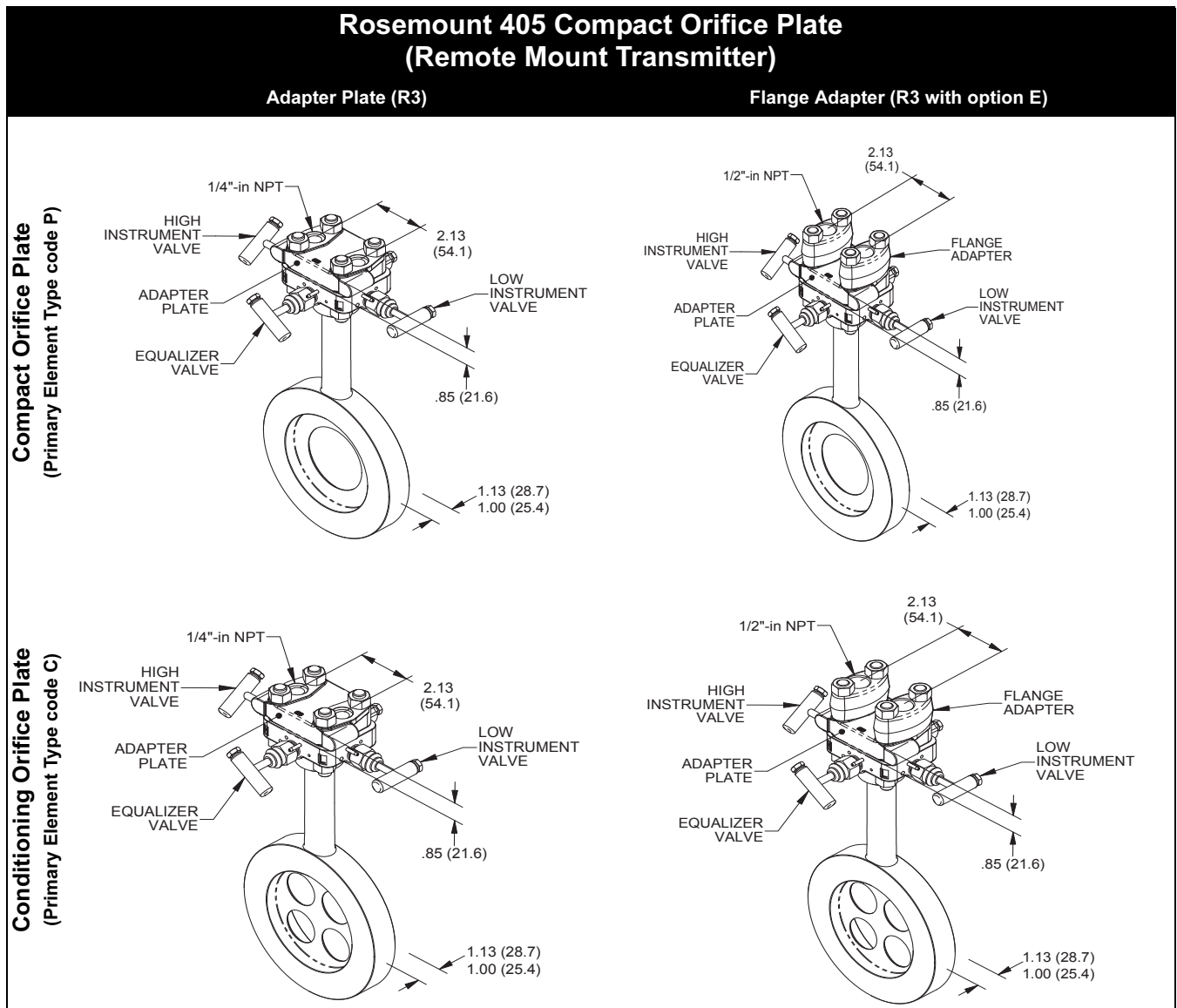
Gas (Vertical)



Liquid (Vertical)



DIMENSIONAL DRAWINGS

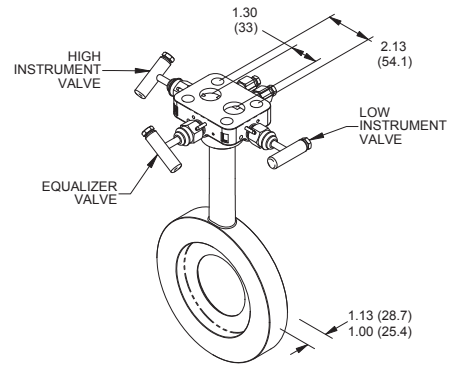
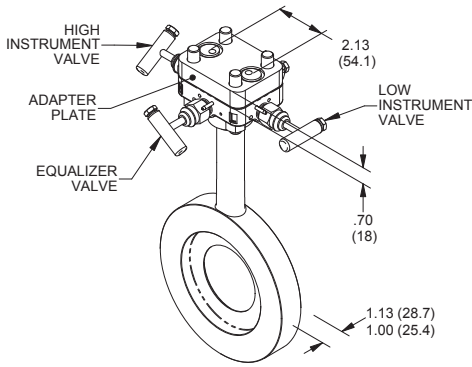


**Rosemount 405 Compact Orifice Plate
 (Direct Mount)**

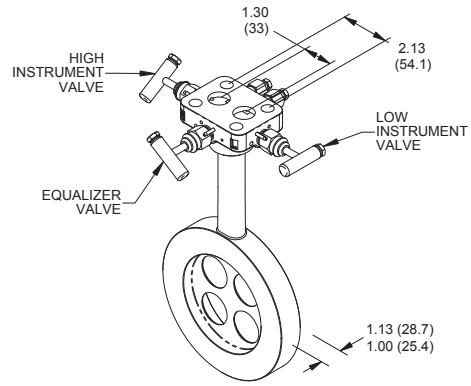
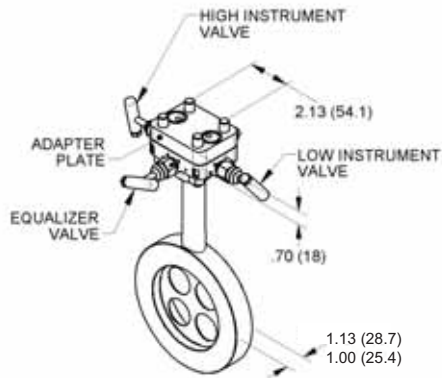
Front View (transmitter connection A3)

Front View (transmitter connection D3)

Compact Orifice Plate
 (Primary Element Type code P)



Conditioning Orifice Plate
 (Primary Element Type code C)



NOTE

Transmitter connection code A3 is to be used with a traditional style transmitter (such as a Rosemount 1151). This is a stainless steel adapter plate for allowing the direct mount of traditional style transmitters.

Rosemount Compact Orifice Flowmeter Series

Product Data Sheet
00813-0100-4810, Rev HA
Catalog 2008 - 2009

ORDERING INFORMATION

Rosemount 405 Compact Orifice Primary Element Ordering Information

Model	Product Description
405	Compact Primary Element
Code	Primary Element Type
C	Conditioning Orifice Plate
P	Orifice Plate
Code	Material Type
S	316 Stainless Steel (SST)
H ⁽¹⁾	Hastelloy
Code	Line Size
005 ⁽²⁾	1/2-in. (15 mm)
010 ⁽²⁾	1-in. (25 mm)
015 ⁽²⁾	1 1/2-in. (40 mm)
020	2-in. (50 mm)
030	3-in. (80 mm)
040	4-in. (100 mm)
050 ⁽¹⁾	5-in. (125 mm)
060	6-in. (150 mm)
080	8-in. (200 mm)
100 ⁽¹⁾	10-in. (250 mm)
120 ⁽¹⁾	12-in. (300 mm)
Code	Temperature Measurement
R	Remote Thermowell and RTD
T ⁽¹⁾	Integral RTD and Thermowell
0	No Temperature Sensor
Code	Beta Ratio
040	0.40 Beta Ratio (β)
065 ⁽³⁾	0.65 Beta Ratio (β)
Code	Transmitter Connection
D3	<i>Coplanar</i> , Direct mount, 3-valve integral manifold, SST
R3	Remote-mount, 1/4-in. NPT connections
A3	Traditional, Direct mount, 3-valve integral manifold with adapter plate, SST
Code	Options
Installation Accessories	
G	DIN Alignment Ring (PN 16)
H	DIN Alignment Ring (PN 40, PN 100)
B	JIS Alignment Ring 10K
R	JIS Alignment Ring 20K
S	JIS Alignment Ring 40K
Adapters	
E	Flange adapters 316 SST (1/2-in. NPT)
High Temperature Applications	
T	Graphite valve packing (Tmax = 850 °F)
Flow Calibration	
WC ⁽⁴⁾	Discharge coefficient verification (3 point)
WD ⁽⁴⁾	Discharge coefficient verification (10 point)
Pressure Testing	
P1	Hydrostatic testing with certificate
Special Cleaning	
P2	Cleaning for special processes
PA	Cleaning per ASTM G93 Level D (section 11.4)
Continued on Next Page	

Rosemount 405 Compact Orifice Primary Element Ordering Information

Special Inspection

QC1 Visual and Dimensional Inspection with certification

QC7 Inspection and performance certification

Material Traceability Certification

Q8⁽⁵⁾ Material certification per ISO 10474 3.1.B and EN 10204 3.1.B

Code Conformance

J2 ANSI B31.1

J3 ANSI B31.3

J4 ANSI B31.8

Material Conformance

J5⁽⁶⁾ NACE MR-0175 / 15156

Country Certification

J1 Canadian Registration

Typical Model Number: 405 C S 040 N 040 D3

(1) Consult factory for availability.

(2) Not available for Primary Element Type code C.

(3) For 2-in. (50.8 mm) line sizes the Beta Ratio is 0.6 for Primary Element Type code C.

(4) Not available with Primary Element Type code P.

(5) Instrument valves not included in Traceability Certification.

(6) Materials of Construction comply with metallurgical requirements within NACE MR0175/ISO for sour oil field production environments. Environmental limits apply to certain materials. Consult latest standard for details. Selected materials also conform to NACE MR0103 for sour refining environments.

Rosemount Compact Orifice Flowmeter Series

Product Data Sheet
00813-0100-4810, Rev HA
Catalog 2008 - 2009

Standard Terms and Conditions of Sale can be found at www.rosemount.com/terms_of_sale

The Emerson logo is a trade mark and service mark of Emerson Electric Co.

Rosemount, the Rosemount logotype, ProPlate, Mass ProPlate, and Annubar are registered trademarks of Rosemount Inc.

All other marks are the property of their respective owners.

**Emerson Process Management
Rosemount Inc.**

8200 Market Boulevard
Chanhassen, MN USA 55317
T (US) (800) 999-9307
T (Intl) (952) 906-8888
F (952) 949-7001

www.rosemount.com

Emerson Process Management

Heath Place
Bognor Regis
West Sussex PO22 9SH
England
T 44 (0) 1243 863121
F 44 (0) 1243 867554

**Emerson Process Management Asia
Pacific Private Limited**

1 Pandan Crescent
Singapore 128461
T (65) 6777 8211
F (65) 6777 0947
Enquiries@AP.EmersonProcess.com

